

三菱ミニロータ
MITSUBISHI MINI ROTOR

CT202

パーツリスト
PARTS LIST

 **三菱機器販売株式会社**
MITSUBISHI
AGRICULTURAL MACHINERY CORPORATION

三菱ミニロータ
MINI ROTOR
CT202

パーツリスト

Remarks on This Parts List

1. This parts list includes all parts for the Mitsubishi Mini Rotor Model CT202.
2. The figures in the drawings are the item numbers which are at the left side of the list as index number.
3. The drawings are showing exploded condition as well showing the sequence of reassembling the exploded parts to an original assembly.
4. When ordering parts, please indicate the **Parts number and name** clearly and apply to the nearest agent or dealer in your territory.

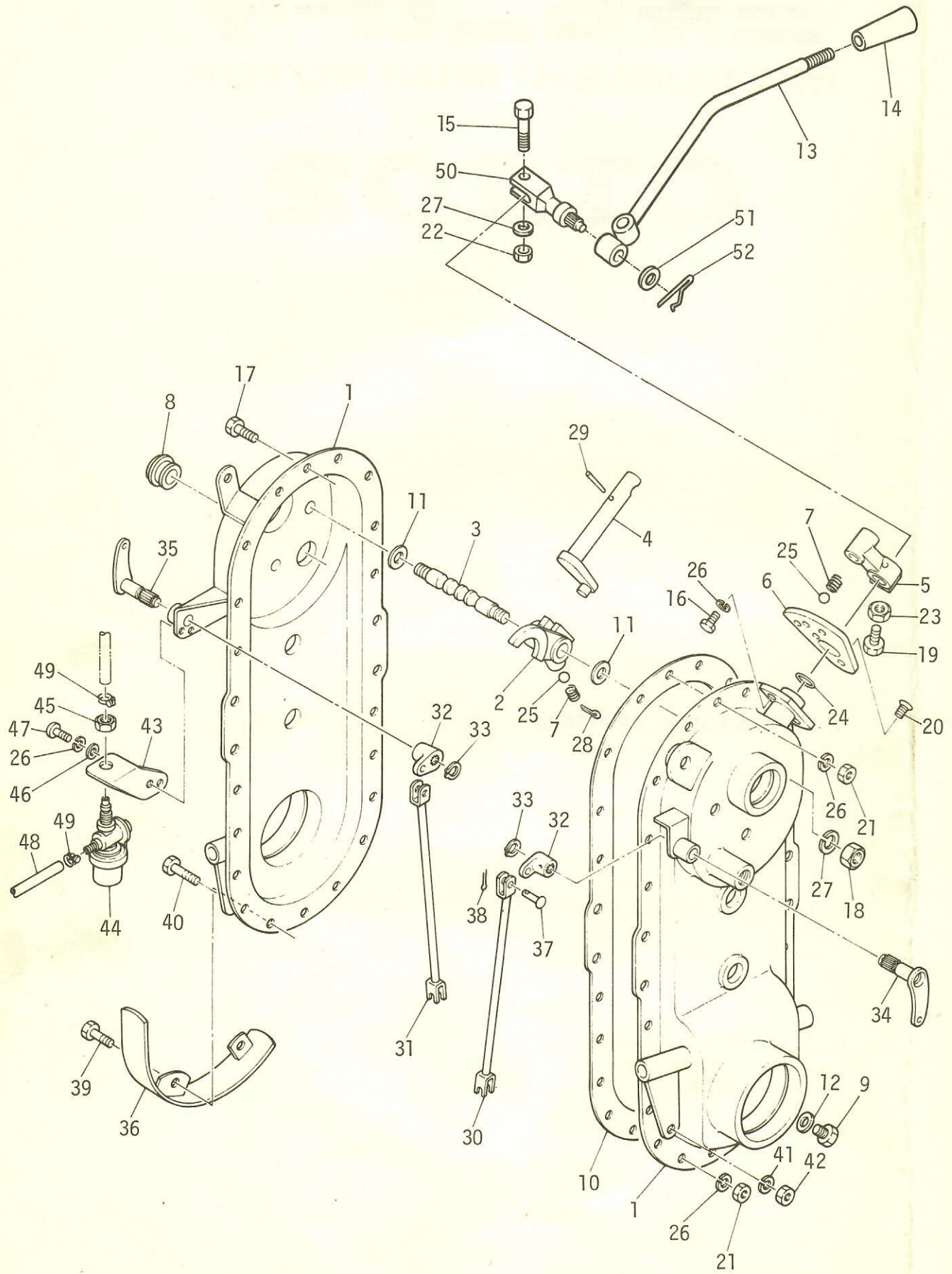
三菱ミニロータ

MITSUBISHI MINI ROTOR

CT202

	SECTION NAME	PAGE
A.	TRANSMISSION CASE GROUP	1~ 4
B.	TRANSMISSION GEAR GROUP	5~ 8
C.	CHASSIS & FENDER GROUP	9.10
D.	HANDLE GROUP	11~14
E.	ENGINE. BONNET & BELT COVER TENSION GROUP	15.16
F.	ENGINE GROUP	17~22
G.	ENGINE GROUP	23~26
H.	FLYWHEEL MAGNETO GROUP	27.28
J.	CARBURE GROUP	29.30
K.	RECOIL STARTER GROUP	31.32
L.	TOOL GROUP	33.34

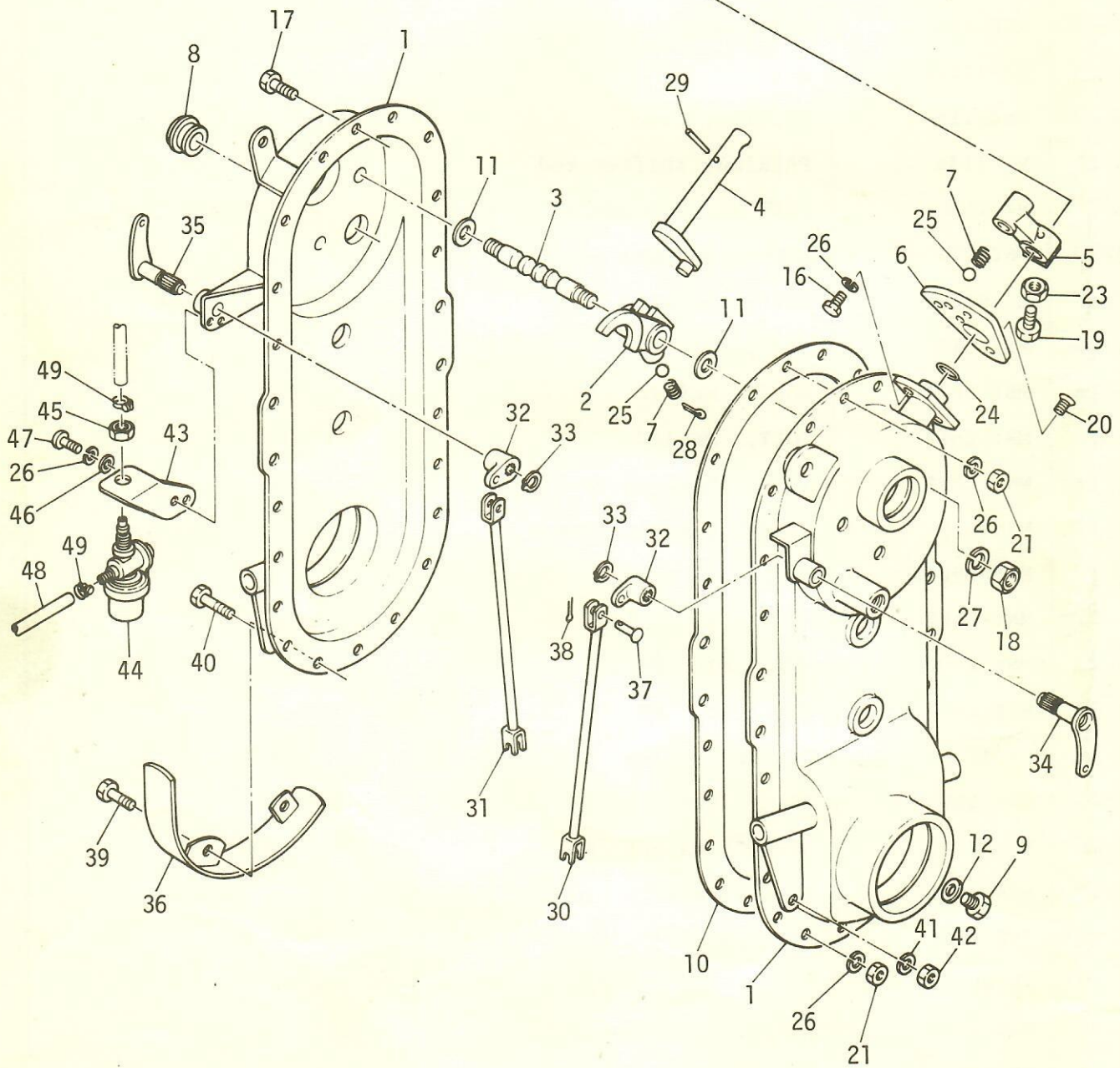
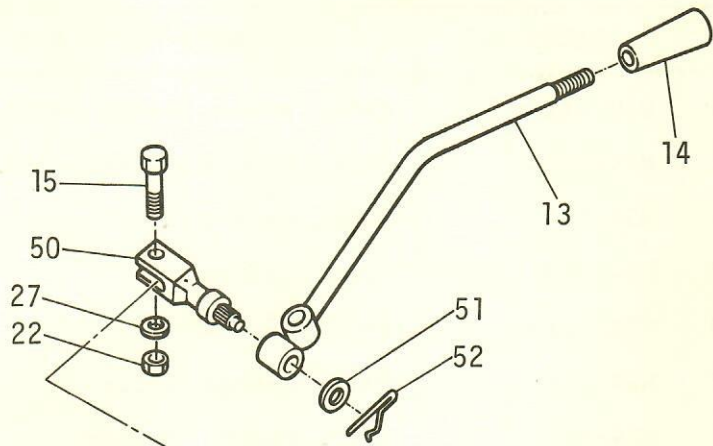
A. TRANSMISSION CASE GROUP



A. TRANSMISSION CASE GROUP

NO.	PARTS NO.	PARTS NAME	Q'TY	REMARKS
A - 1	M79-111a	CASE, transmission left	1	
A - 1	M79-111a	CASE, transmission right	1	
A - 2	M54-311	FORK, shifter	1	A906252
A - 3	M54-313	ROD, shifter	1	A906253
A - 4	M54-312a	ARM, shifter	1	A906418
A - 5	M54-316	BOSS, change lever	1	A906255
A - 6	M54-314	GUIDE PLATE, change	1	A906256
A - 7	M7-314	SPRING, tighteng shifter	2	A906257
A - 8	M60-116	PLUG, oil	1	
A - 9	M7-129.a	BOLT	1	A906262
A-10	M62-116	PACKING, case	1	
A-11	M7-313a	PACKING, shifter rod	2	A906267
A-12	M7-118	PACKING, oil outlet	1	A906269
A-13	M62-911	LEVER, change	1	
A-14	M7-918	GRIP, changing lever	1	A906321
A-15	M54-913	BOLT, lock	1	
A-16	MBt-0612	BOLT, M6x12 ℓ	1	
A-17	MBt-0614	BOLT, M6x14 ℓ	18	
A-18	MNt-1000	NUT, M10 P1.25	2	
A-19	M54-317	SCREW, changing lever	1	A906223
A-20	MVSF-0612	SCREW, \oplus pan-hd M6x12 ℓ	1	
A-21	MNt-0600	NUT, M6	21	
A-22	MNt-1000	NUT, M10 P1.5	1	
A-23	MNt-0800L	NUT, lock M8	1	
A-24	OR-12	O-RING	1	
A-25	SB-2500	BALL, sten1 5/16"	2	
A-26	MSW-0600	SPRING, WASHER 6 ϕ	24	
A-27	MSW-1000	SPRING, WASHER 10 ϕ	3	
A-28	StP-3020	PIN, split 3 ϕ x20 ℓ	1	
A-29	TP-3525	PIN; taper 3.5 ϕ x25 ℓ	1	
A-30	M62-1023	ROD, side clutch (L)	1	
A-31	M62-1022	ROD, side clutch (R)	1	

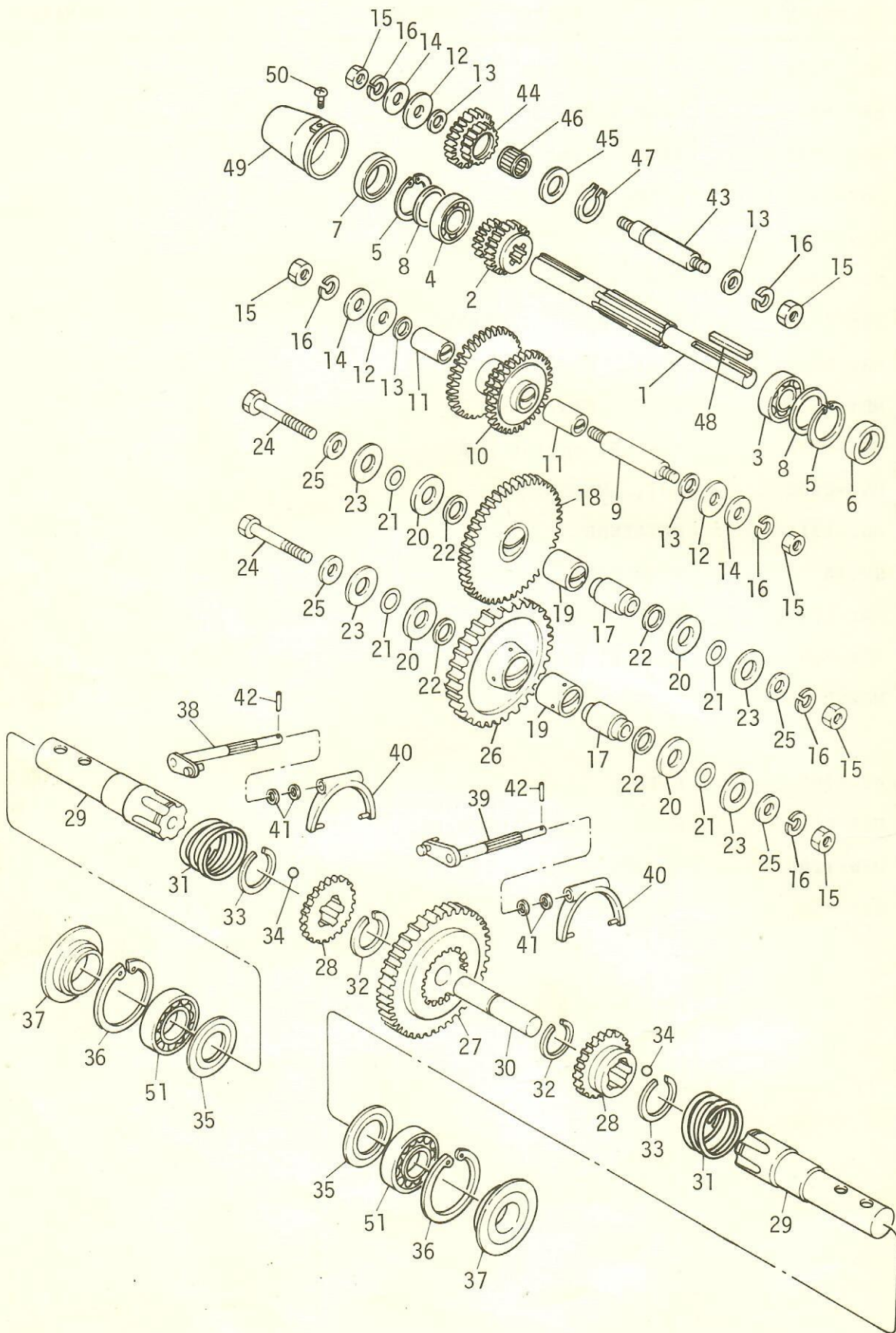
A. TRANSMISSION CASE GROUP



A. TRANSMISSION CASE GROUP

NO.	PARTS NO.	PARTS NAME	Q'TY	REMARKS
A-32	M62-1024	JOINT, clutch	2	
A-33	SRS-12	SNAP RING S-12	2	
A-34	M62-1025	LEVER joint (L)	1	
A-35	M62-1025	LEVER joint (R)	1	
A-36	M79-112	COVER	1	
A-37	M8-1016	PIN	2	
A-38	Stp-1615	PIN, split 1.6 ϕ x15 ℓ	2	
A-39	MBt-0616	BOLT, M6x16 ℓ	3	
A-40	MBt-0870	BOLT, M8x70 ℓ	1	
A-41	MSW-0800	WASHER, spring 8 ϕ	1	
A-42	MNt-0800	NUT, M8	1	
A-43	M62-1311	RETAINER	1	
A-44	SF-18	STRAINER	1	
A-45	MNt-1000L	NUT, lock M10	1	
A-46	MFW-0600	WASHER, plain 6 ϕ	2	
A-47	MCRSR-0610	SCREW M6x10	2	
A-48		TUBE	1	
A-49	A906360	CLIP	3	
A-50	M65-912	BOSS, change lever	1	
A-51	MFW-1200	WASHER, plain 12 ϕ	1	
A-52	60346	"R" PIN	1	

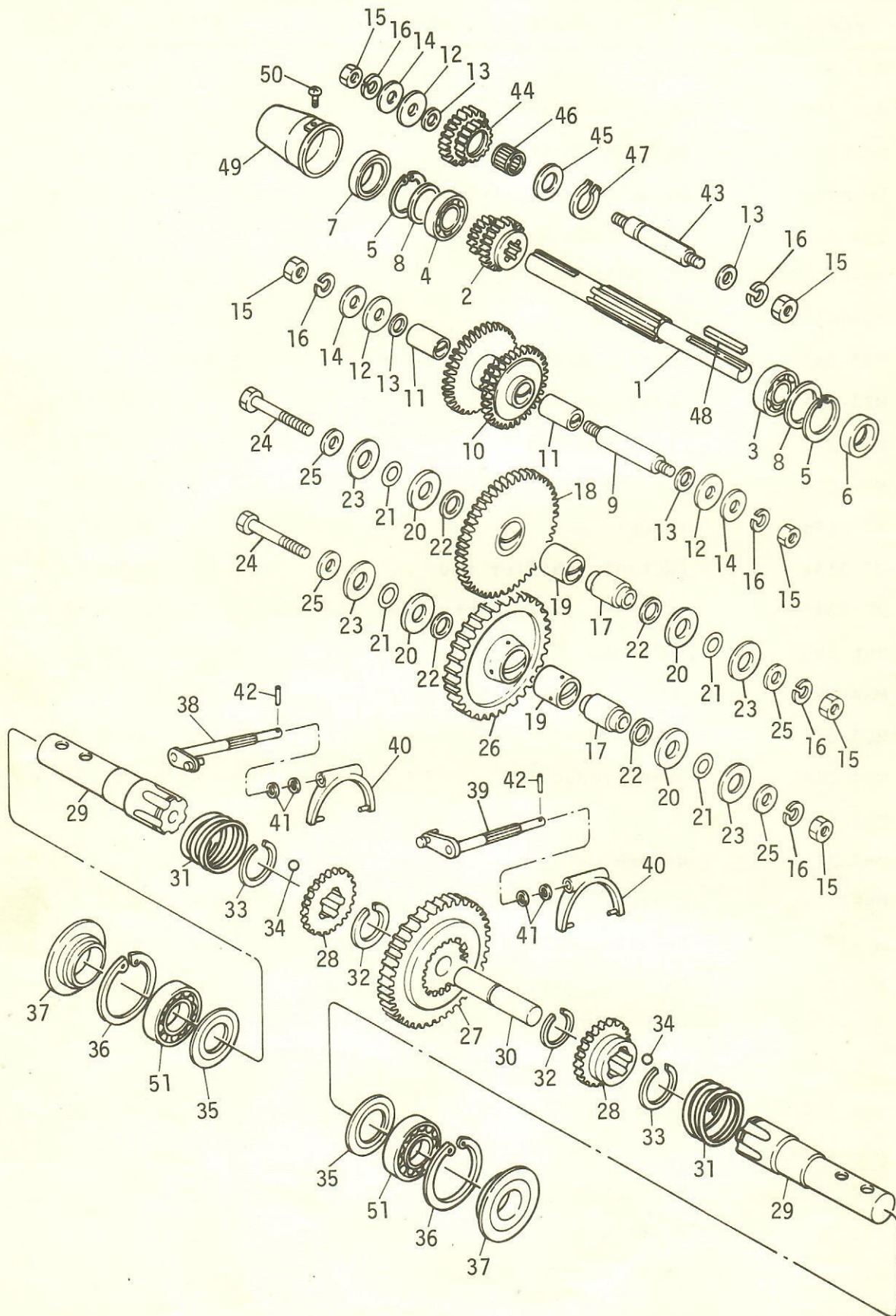
B. TRANSMISSION GEAR GROUP



B. TRANSMISSION GEAR GROUP

NO.	PARTS NO.	PARTS NAME	Q'TY	REMARKS
B - 1	M54-211	SHAFT, main	1	A906232
B - 2	M54-212	GEAR, main shaft	1	A906237
B - 3	Bb-6202	BEARING, ball #6202	1	
B - 4	Bb-6003	BEARING, ball #6003	1	
B - 5	SRR-35	SNAP RING R-35	2	
B - 6	OS-SC15357	OIL SEAL	1	
B - 7	OS-SC17357	OIL SEAL	1	
B - 8	M23-263	WASHER, mian shaft adjustment	req'd	
B - 9	M23-255	SHAFT, with bolt	1	A906233
B-10	M54-213	GEAR, low-top	1	A906238
B-11	M54-219	BUSHING	2	A906240
B-12	M7-217a	WASHER A	3	A906258
B-13	M7-313a	PACKING, shifter rod	4	A906267
B-14	M7-234b	PACKING, shaft with screw (outside)	3	A906264
B-15	MNt-1000	NUT M10 P1.25	6	
B-16	MSW-1000	SPRING WASHER 10ø	6	
B-17	M23-216	COLLAR SHAFT	2	A906234
B-18	M54-214	GEAR, reduction	1	A906241
B-19	M23-224	BUSHING	2	A906243
B-20	M67-219	WASHER A	4	
B-21	OR-16	O-RING	4	
B-22	M7-238	PACKING, collar shaft (inside)	4	A906266
B-23	M7-237	PACKING, collar shaft (outside)	4	A906265
B-24	MBt-1055	BOLT M10x55 P1.25	2	
B-25	MFW-1000	WASHER, plain 10ø	4	
B-26	M54-215	GEAR ASS'Y idler	1	A906247
B-27	M62-213a	GEAR clutch	1	
B-28	M62-214.b	PION clutch	2	
B-29	M62-221	SHAFT axle	2	
B-30	M62-212	SHAFT center (119mm)	1	
B-31	M62-215a	SPRING side clutch	2	
B-32	WR-37	CLIP	2	

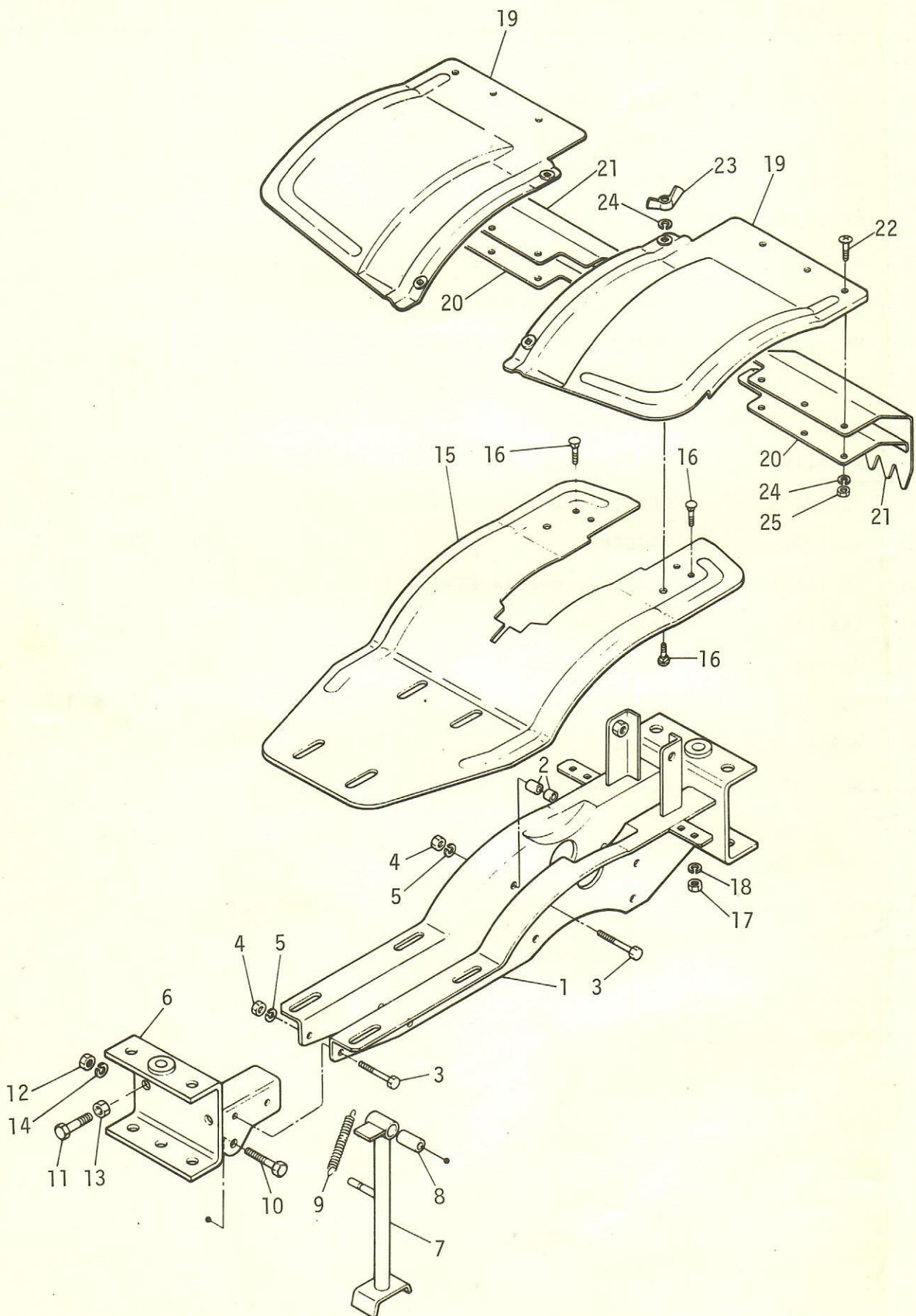
B. TRANSMISSION GEAR GROUP



B. TRANSMISSION GEAR GROUP

NO.	PARTS NO.	PARTS NAME	Q' TY	REMARKS
B-33	AR-47	CLIP	2	
B-34	SB-3000	BALL steel 3/8"	24	
B-35	M62-222	WASHER, axle shaft	2	
B-36	SRR-62	SNAP RING R-62	2	
B-37	OFLY-35621319	OIL SEAL	2	
B-38	M62-224	SHAFT, (R) clutch	1	
B-39	M62-225	SHAFT, (L) clutch	1	
B-40	M62-226	FORK, side clutch	2	
B-41	OR-14	O-RING	4	
B-42		NEEDLE ROLLER	2	
B-43	M54-218a	SHAFT, back	1	A906236
B-44	M54-217a	GEAR, back	1	A906245
B-45	M54-220	WASHER	1	A906274
B-46	Nb-151917	BEARING, needle KT-151917	1	
B-47	SRS-15	SNAP RING S-15	1	
B-48	M7-814	KEY, main shaft	1	
B-49	M54-223	SEALED CAP	1	A906433
B-50	MCRSR-0514	SCREW ⊕	1	
B-51	Bb-6007	BEARING, ball #6007	2	

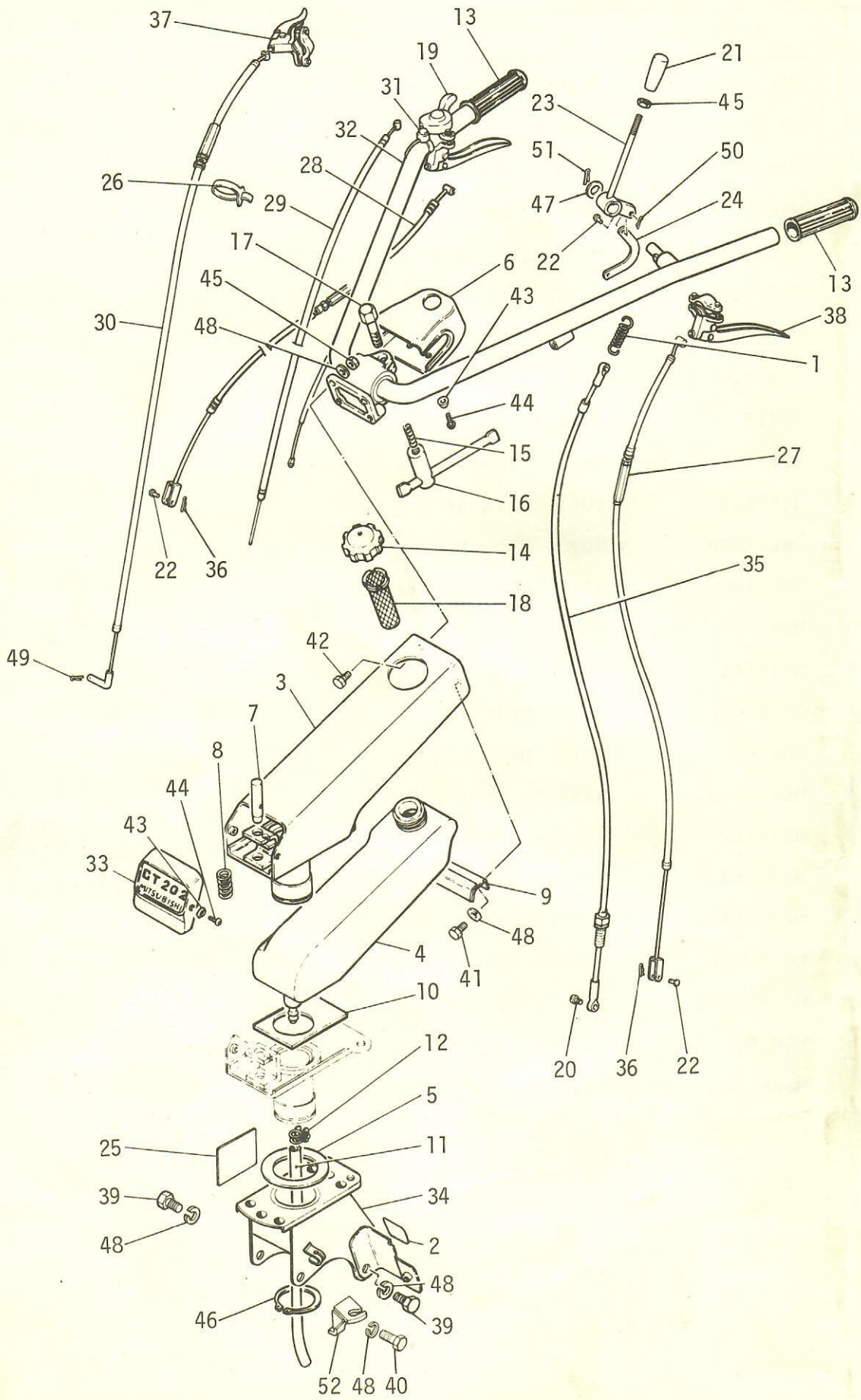
C. CHASSIS & FENDER GROUP



C. CHASSIS & FENDER GROUP

NO.	PARTS NO.	PAERS NAME	Q'TY	REMARKS
C - 1	M54-417	FRAME, chassis	1	A906431
C - 2	M23-416	COLLAR, tightcning case	8	A906311
C - 3	MBt-0850	BOLT, M8x50ℓ	6	
C - 4	MNt-0800	NUT, M8	6	
C - 5	MSW-0800	WASHER, spring	6	
C - 6	M54-414	HITCH, front	1	A906396
C - 7	M54-415	STAND	1	A906397
C - 8	M54-416	PIPE, stand	1	A906398
C - 9	K-419	SPRING, stand	1	A906310A
C-10	MBt-1045	BOLT M10x45ℓ P1.25	1	
C-11	MBt-1235	BOLT M12x35ℓ	2	
C-12	MNt-1000	NUT M10 P1.25	1	
C-13	MNt-1200	NUT M12	2	
C-14	MSW-1000	WASHER, spring 10ϕ	1	
C-15	M62-511	FENDER	1	
C-16	MRSBt-0613	BOLT M6x13ℓ	8	4 option
C-17	MNt-0600	NUT M6	4	
C-18	MSW-0600	WASHER, spring 6ϕ	4	
C-19	M54-512	FENDER, extension	R.H.1 L.H.1	option A906380 [A906380-9 A906380-1
C-20	M23-513	PLATE, setting rubber	R.H.1 L.H.1	option A906384 [A906388 A906387
C-21	M23-514.a	RUBBER, sheet	2	option
C-22	MCRR-0617	SCREW ⊕ M6x17ℓ	6	option
C-23	MBNt-0600	NUT, wing (small) M6	4	option
C-24	MSW-0600	WASHER, spring 6ϕ	10	option
C-25	MSW-0600	NUT M6	6	option

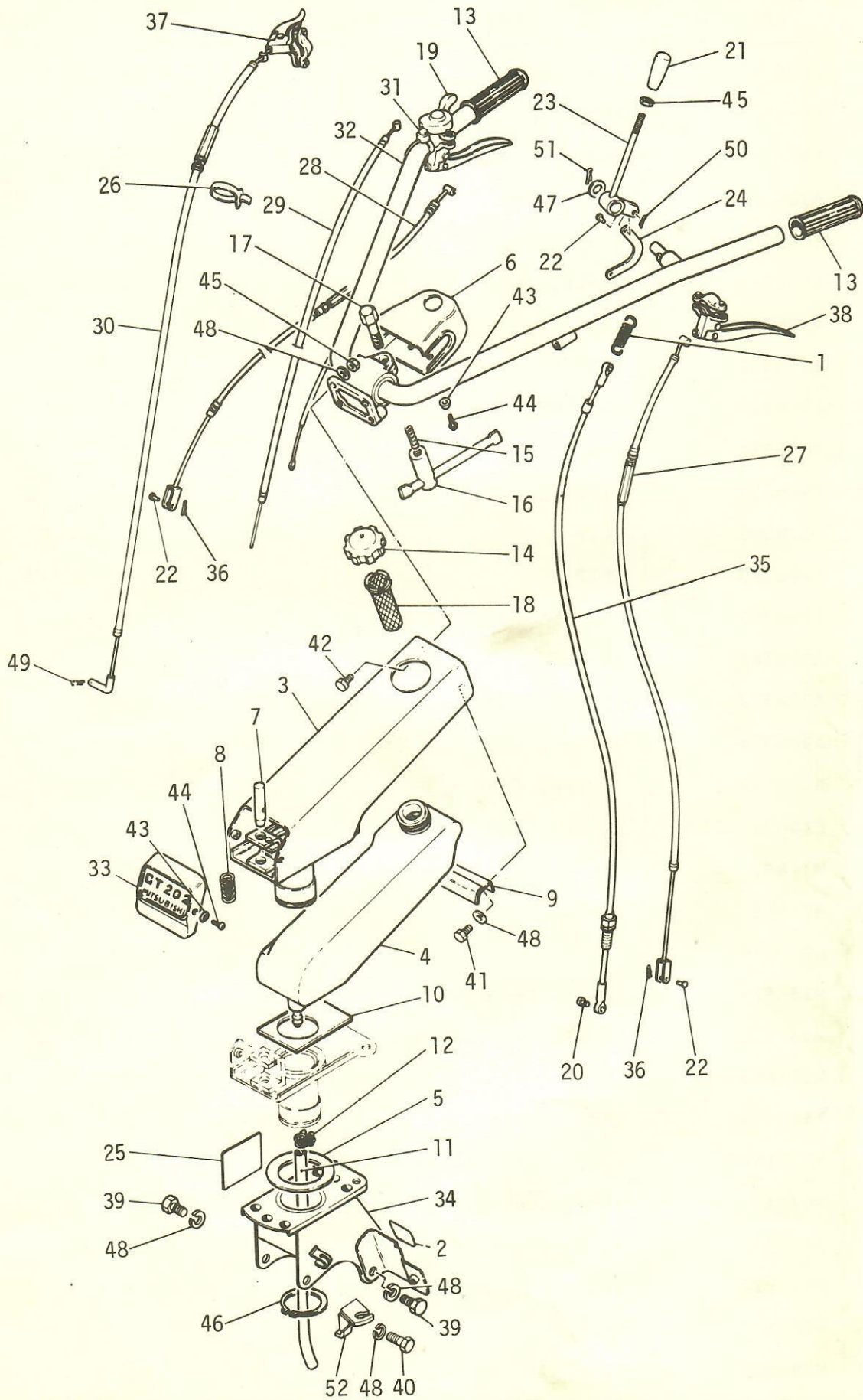
D. HANDLE GROUP



D. HANDLE GROUP

NO.	PARTS NO.	PARTS NAME	Q'TY	REMARKS
D - 1	A906297	SPRING	1	60496
D - 2	A906326	LABEL B	1	
D - 3	A906343	SHASSIS, handle	1	
D - 4	A906345	TANK, fuel	1	
D - 5	A906346	PLATE	1	
D - 6	A906348	COVER, rear	1	
D - 7	A906351	PIN	1	
D - 8	A906352	SPRING	1	
D - 9	A906353	SUPPORT, tank	1	
D-10	A906354	SEAT	1	
D-11	A906359	PIPE, fuel	1	
D-12	A906360	CLIP	1	
D-13	A906363	GLIP	2	60420
D-14	A906365	CAP ASS'Y	1	
D-15	A906367	SPRING	1	
D-16	A906372	LEVER, clamp	1	
D-17	A906374	BOLT	1	
D-18	BG03560	FILTER, fuel	1	
D-19	E10023112200	LEVER, combination	1	
D-20	M7-835	BOLT	1	
D-21	M7-918	GLIP	1	
D-22	M8-1016	PIN	3	
D-23	M13-824	LEVER, tension	1	left side
D-24	M13-825	JOINT, tension wire	1	
D-25	M26-663	LABLE	1	
D-26	M49-631	BAND, rubber	2	
D-27	M62-1017	WIRE, side clutch (left)	1	
D-28	M62-1018	WIRE, side clutch (right)	1	
D-29	M40-455	WIRE, throttle	1	
D-30	M65-620	WIRE B, bowden	1	
D-31	M79-1311	SWITCH, stop	1	
D-32	M79-611	HANDLE	1	

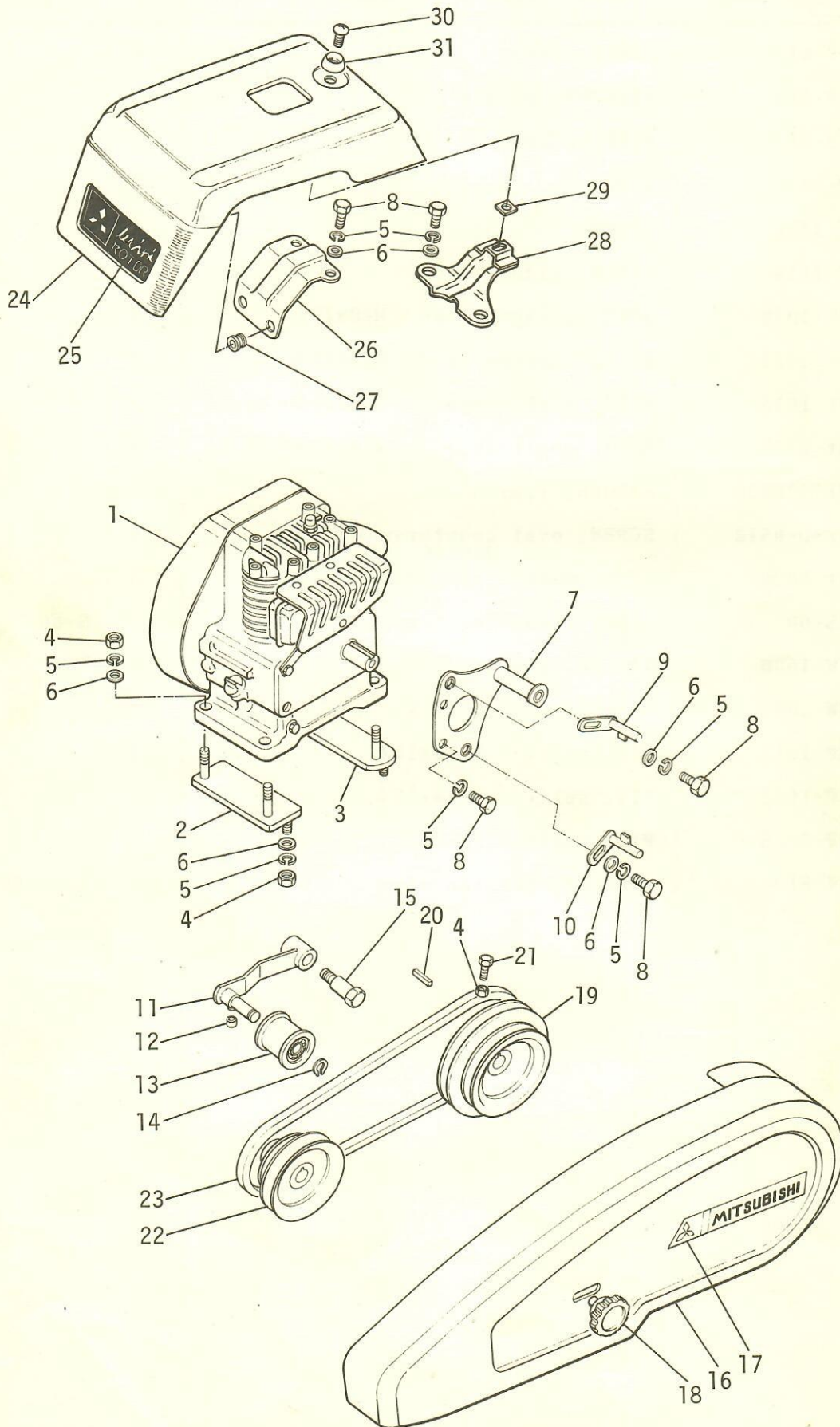
D. HANDLE GROUP



D. HANDLE GROUP

NO.	PARTS NO.	PARTS NAME	Q'TY	REMARKS
D-33	M79-615	COVER, front	1	
D-34	M79-614	BRACKET, handle	1	
D-35	M79-811	WIRE A, bowden	1	
D-36	RP-06	R-PIN	2	
D-37	SC-1300	LEVER, turning	1	
D-38	SC-3114	LEVER, side clutch	1	
D-39	MBt-1020	BOLT, hexagon head M10x20 <i>l</i>	2	
D-40	MBt-1025	BOLT, hexagon head M10x25 <i>l</i>	2	
D-41	MBt-1016	BOLT, small type M10x16 <i>l</i> P1.25	2	
D-42	MBt-1025	BOLT, small type M10x25 <i>l</i> P1.25	2	
D-43	F257506000	WASHER, finish	4	
D-44	MCRSD-0512	SCREW, oval countersunk head- M5x12 <i>l</i> cross recessed	4	
D-45	MNt-1000	NUT, small type M10 P1.25	3	
D-46	SRS-60	RING, retaining-C type	1	S-60
D-47	MFW-1600	WASHER, plain	1	
D-48	MSW-1000	WASHER, spring lock 10 <i>φ</i>	7	
D-49	StP-1612	PIN, split 1.6 <i>φ</i> x12 <i>l</i>	1	
D-50	StP-1615	PIN, split 1.6 <i>φ</i> x15 <i>l</i>	1	
D-51	StP-3025	PIN, split 3 <i>φ</i> x25 <i>l</i>	1	
D-52	M54-818	SUPPORT, tension wire	1	A906295

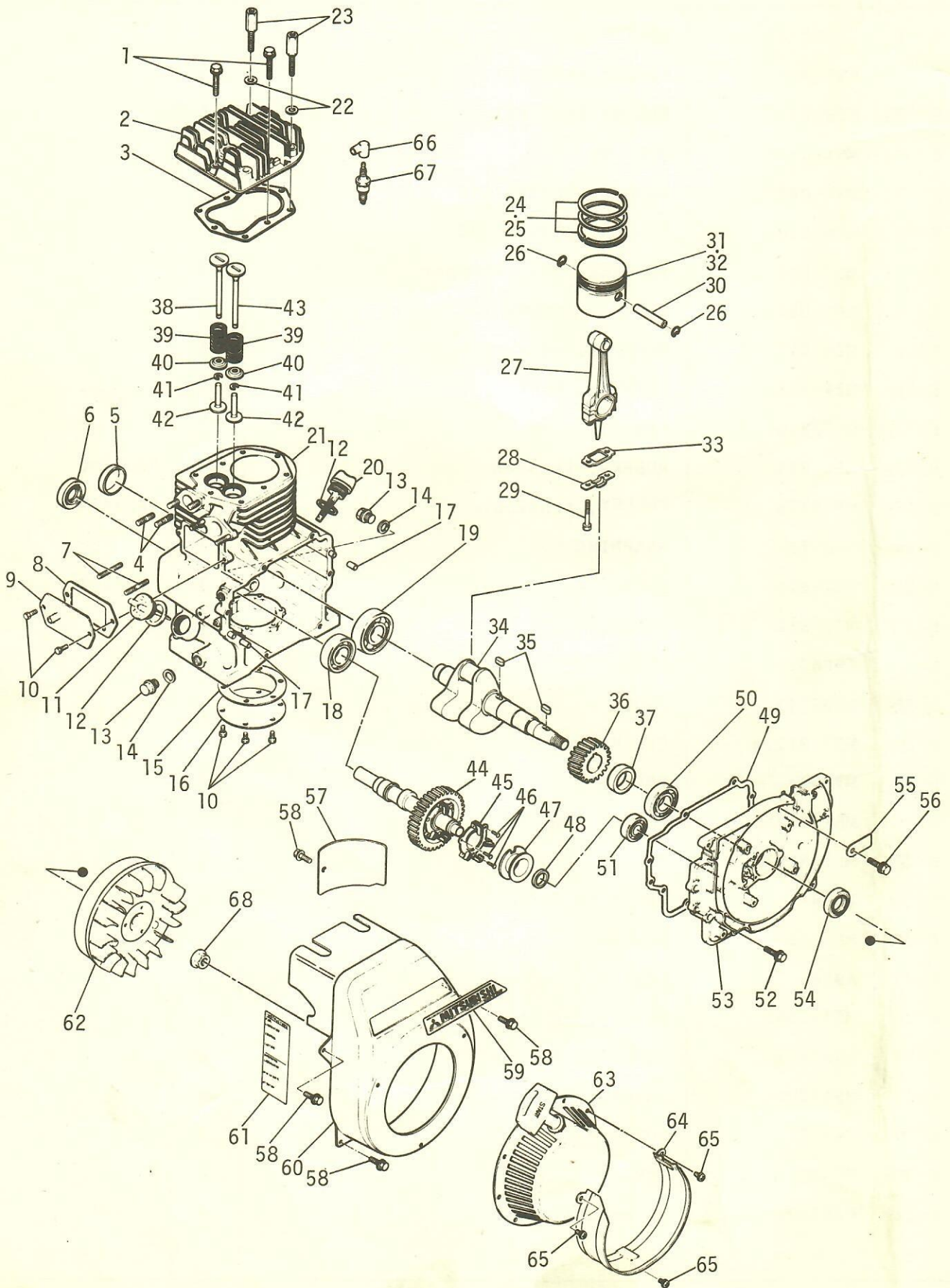
E. ENGINE.BONNET & BELT COVER.TENSION GROUP



E. ENGINE.BONNET & BELT COVER.TENSION GROUP

NO.	PARTS NO.	PARTS NAME	Q'TY	REMARKS
E - 1	G500B-29	ENGINE ASS'Y	1	
E - 2	M57-819	ENGINE BASE (F)	1	
E - 3	M79-1312	ENGINE BASE (R)	1	
E - 4	MNt-0800	NUT M8	9	
E - 5	MSW-0800	WASHER, spring 8 ϕ	16	
E - 6	MFW-0800	WASHER, plain 8 ϕ	14	
E - 7	M67-814	BRACKET, belt stopper	1	
E - 8	MBt-0816	BOLT M8x16 ℓ	8	
E - 9	M24-814	STOPPER, belt	1	
E-10	M24-815	STOPPER, belt	1	
E-11	M57-816a	ARM, tension	1	
E-12	M54-825	RUBBER, tension	1	A906296
E-13	M8-817a	PULLEY, tension	1	A906421
E-14	SRS-12	SNAPRING	1	
E-15	M54-816	BOLT,	1	A906294
E-16	M79-812	COVER, belt	1	
E-17	A906325	LABEL "A"	1	
E-18	A905743	KNOB	2	
E-19	M57-812.a	PULLEY, main	1	
E-20	M7-814	KEY	1	
E-21	MBt-0820	BOLT M8x20 ℓ	1	
E-22	M57-813	PULLEY, engine	1	
E-23	VBSB-33	"V" BELT	1	SB-33
E-24	M67-712	BONNET	1	
E-25	A906327	LABL "C"	1	
E-26	M54-2005	BRACKET "A"	1	
E-27	A904415	BUSHING, rubber	2	
E-28	M54-2006	BRACKET "B"	1	
E-29	M54-711	NUT	1	A906302
E-30	MCRSD-0816	SCREW \oplus M8x16 ℓ	1	
E-31	F257508000	WASHER, finish	1	

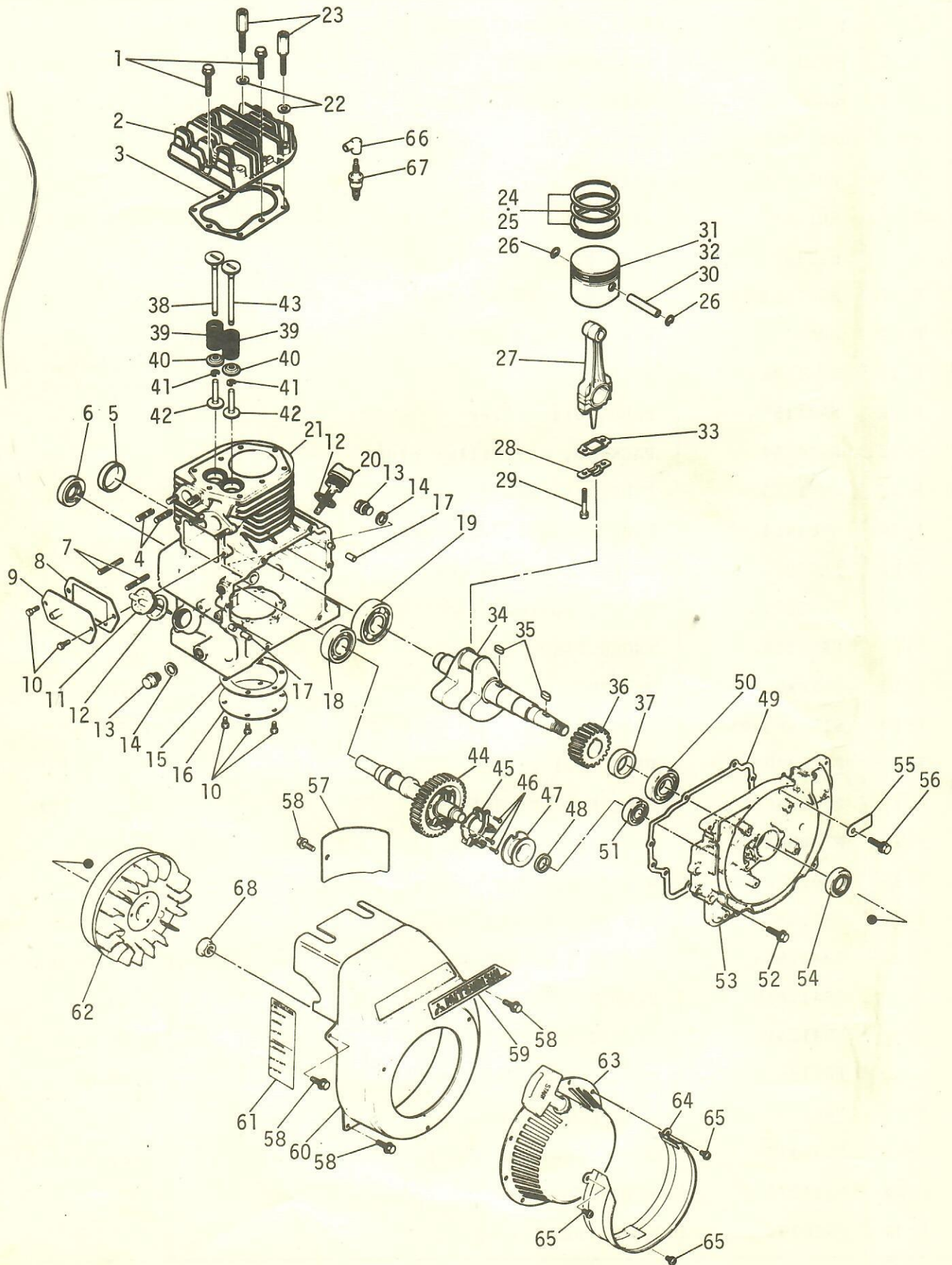
F. ENGINE GROUP



F. ENGINE GROUP

NO.	PARTS NO.	PARTS NAME	Q'TY	REMARKS
F - 1	ZZ70003B	BOLT, cylinder head	4	
F - 2	FA21120	CYLINDER HEAD	1	
F - 3	BG01556	GASKET, cylinder head	1	
F - 4	FR41491	STUD BOLT	2	
F - 5	FR18009	BLIND	1	
F - 6	FR18587	OIL SEAL	1	TC24 38 8.5
F - 7	B151A06x025	STUD BOLT	2	
F - 8	BG01558	PACKING, air breather	1	
F - 9	FR56371	AIR BREATHER ASS'Y	1	
F-10	B011A06x010	BOLT	8	air breather 2, bottom cover 6
F-11	FA21151A	PLUG, oil filler	1	
F-12	FN14784	PACKING, oil filler plug	2	
F-13	FN11223	PLUG, oil drain	2	
F-14	A001W14	PACKING, oil drain plug	2	
F-15	FR43072	PACKING, bottom cover	1	
F-16	FR43071	COVER, bottom	1	
F-17	FR41238	KNOCK PIN	2	
F-18	S111x62x050	BEARING	1	#6205
F-19	S112x63x050	BEARING	1	#6305
F-20	FR18429A	PLUG, oil filler	1	
F-21	FA21140B	ENGINE BODY ASS'Y	1	Inc, 4,7,17
F-22	W200H08	WASHER, cylinder head	4	
F-23	B901C08M035	BOLT, cylinder head	4	
F-24	FR41179	PISTON RING SET S.T.D	1	STD
F-25	FR41261A	PISTON RING SET O.S	1	0.25 OS
	FR41261B	PISTON RING SET O.S	1	0.50 OS
	FR41261C	PISTON RING SET O.S	1	0.75 OS
	FR41261D	PISTON RING SET O.S	1	1.00 OS
F-26	FN11152	SNAP RING, piston pin	2	
F-27	FR56317	CONNECTING ROD ASS'Y	1	Inc.28,29,33
F-28	FA21274	WASHER, connecting rod	1	
F-29	FR56308	BOLT, connecting rod	2	

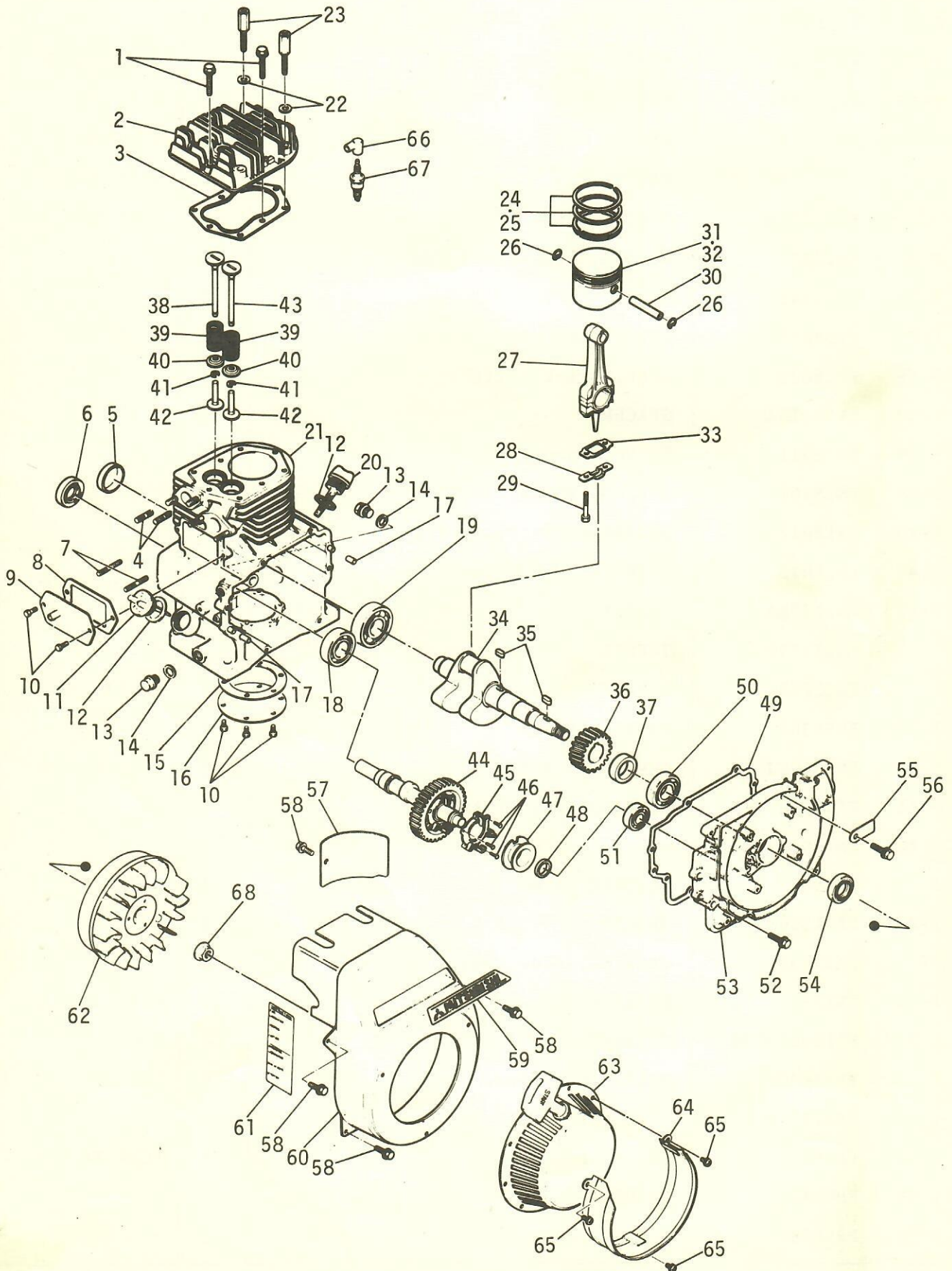
F. ENGINE GROUP



F. ENGINE GROUP

NO.	PARTS NO.	PARTS NAME	Q'TY	REMARKS
F-30	FA21007	PIN, piston	1	
F-31	FA21005	PISTON PIN SET S.T.D	1	STD Inc,30
F-32	FA21124A	PISTON O.S	1	0.25 OS
	FA21124B	PISTON O.S	1	0.50 OS
	FA21124C	PISTON O.S	1	0.75 OS
	FA21124D	PISTON O.S	1	1.00 OS
F-33	FA21300	WASHER, connecting rod	1	
F-34	FA21143	CRANK SHAFT	1	
F-35	W400B05x012	KEY, crank shaft	2	
F-36	FR18022	GEAR, crank shaft	1	
F-37	FR56619A	SPACER	1	
F-38	FR18011	VALVE exhaust	1	
F-39	FN15861	SPRING, valve	2	
F-40	FR18012	RETAINER, valve spring	2	
F-41	FR18013	CLIP	2	
F-42	FA21278A	TAPPET	2	41.8 l
	FA21278B	TAPPET	2	42.0 l
	FA21278C	TAPPET	2	42.2 l
F-43	FR56302	VALVE, inlet	1	
F-44	FR15498J	CAM SHAFT ASS'Y	1	Inc, 45, 46 .
F-45	FR41350	GOVERNOR WEIGHT ASS'Y	1	
F-46	W620D03x010	RIVET	3	
F-47	FR41323	SLIDING picec	1	
F-48	FA21159	SPACER	1	
F-49	FA21139	PACKING, side cover	1	
F-50	FN15808	BEARING	1	6205
F-51	S111x62x030	BEARING	1	6203
F-52	FR42847	BOLT, side cover	6	
F-53	FA21141B	SIDE COVER	1	
F-54	FR18587	OIL SEAL	1	TC24 38 8.5
F-55	FR41450	CLAMP	1	
F-56	FR56761	BOLT, side cover	1	

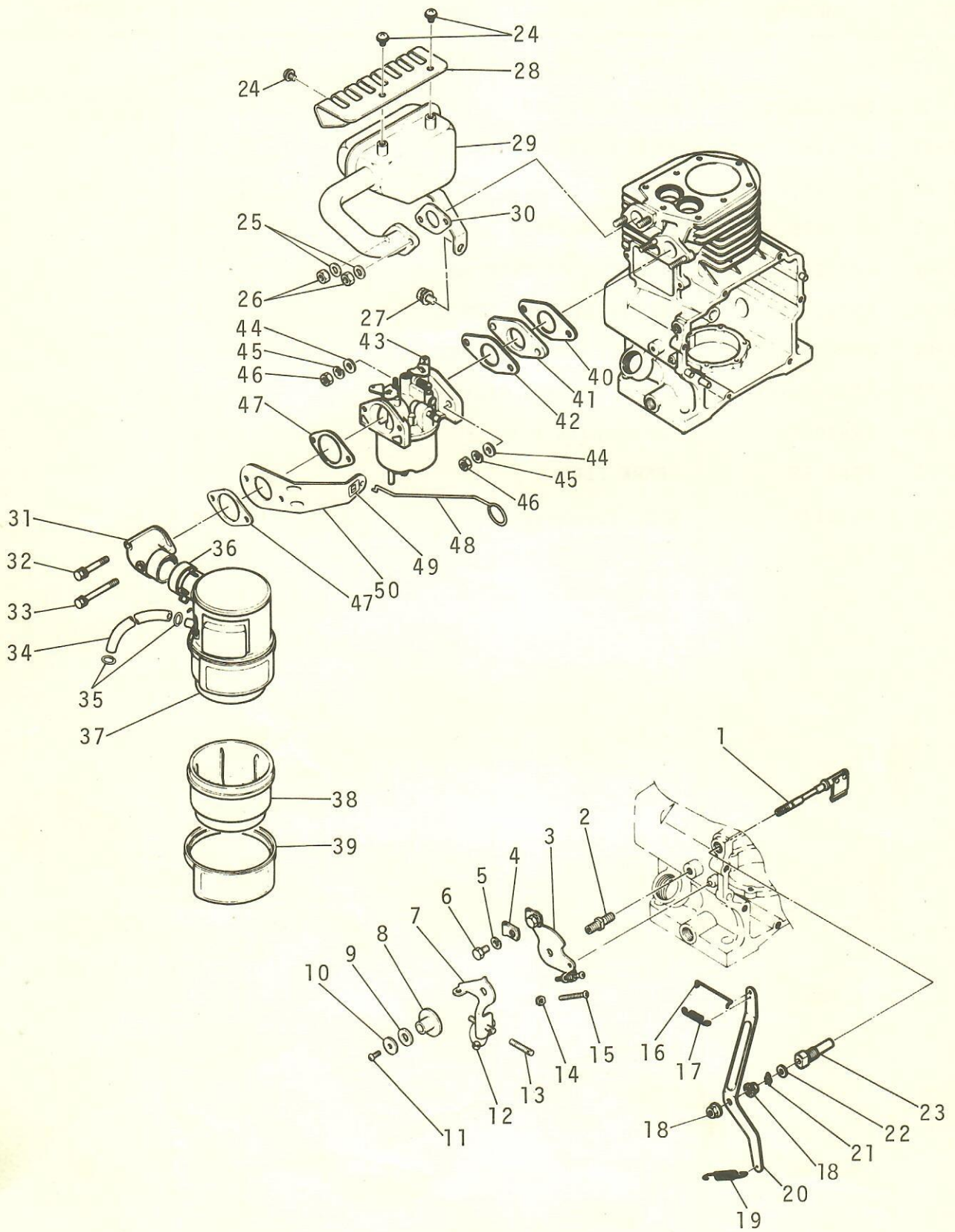
F. ENGINE GROUP



F. ENGINE GROUP

NO.	PARTS NO.	PARTS NAME	Q'TY	REMARKS
F-57	FA21284	SIDE PLATE, cylinder	1	
F-58	B091A06x012	BOLT & WASHER	5	cowling 4 side plate 1
F-59	FA21283	NAME PLATE	1	
F-60	FA21272B	COWLING	1	
F-61	FR54078	PLATE, caution	1	
F-62	FA21145	FLYWHEEL MAGNETO ASS'Y	1	
F-63	FA21170	RECOIL STARTER ASS'Y	1	
F-64	FR56794	PLATE, soil baffling	1	
F-65	H081D06x012	SCREW, recoil starter	3	
F-66	FR62008	CAP, spark plug	1	
F-67	FR63087	SPARK PLUG	1	
F-68	FA21125	NOT, flywheel	1	

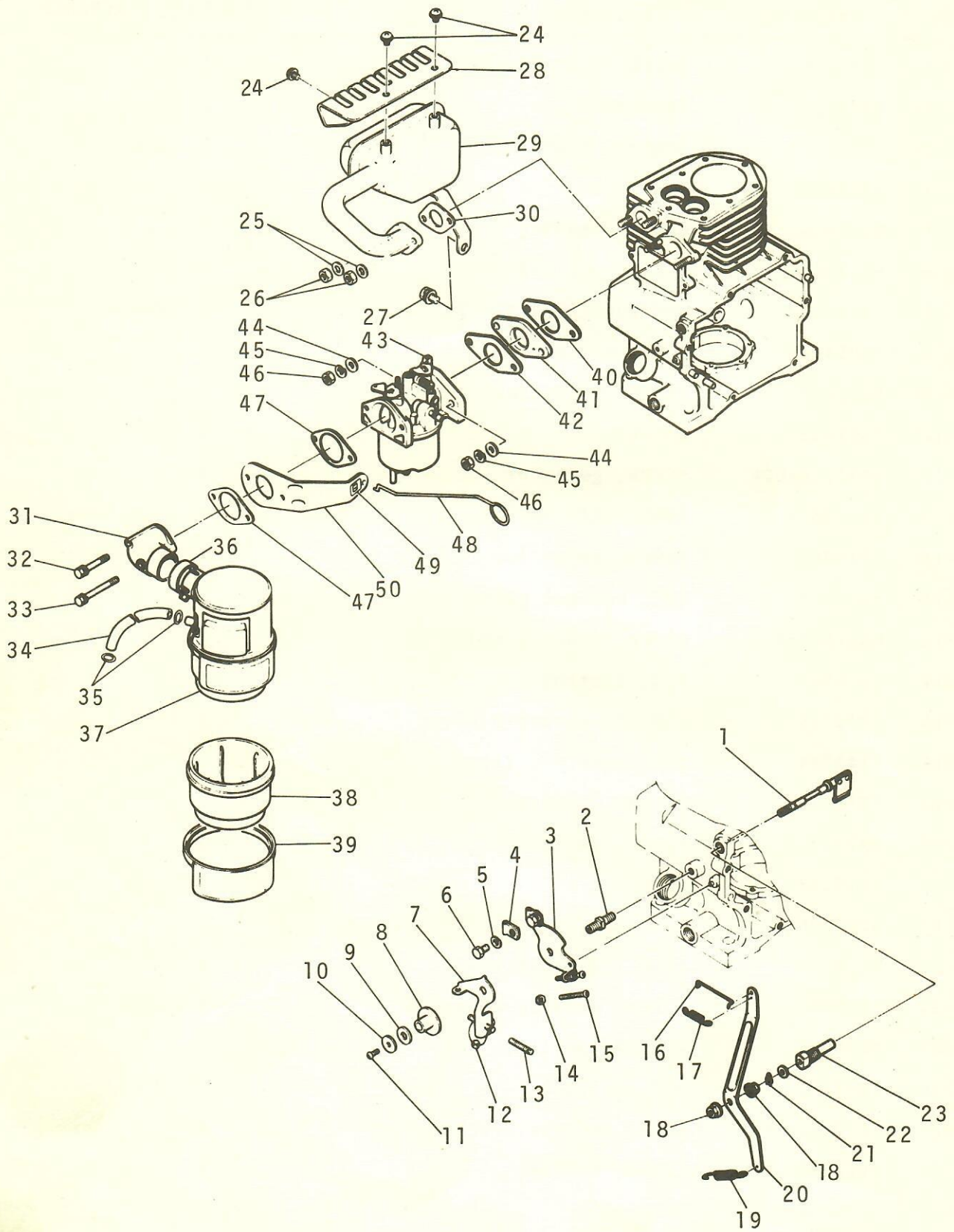
G. ENGINE GROUP



G. ENGINE GROUP

NO.	PARTS NO.	PARTS NAME	Q'TY	REMARKS
G - 1	FR41009	GOVERNOR SHAFT ASS'Y	1	
G - 2	FR44025	STUD BOLT	1	
G - 3	FR43217	CONTROL PLATE ASS'Y	1	Inc.4 to 6,15,16
G - 4	FR18437	WIRE END	1	
G - 5	W220R06	WASHER, spring	1	
G - 6	B011A06x010	BOLT, wire end	1	
G - 7	FR44021	CONTROL LEVER ASS'Y	1	Inc.13
G - 8	BG01474	PIPE, distant	1	
G - 9	BG01475	PLATE, adjusting	1	
G-10	BG01433	WASHER	1	
G-11	H051D04x008	SCREW, governor	1	
G-12	FR41767A	SPEED SEAL SET	1	
G-13	FR18082	SCREW, adjusting	1	
G-14	BG04168	NUT, control plate	1	
G-15	H051D04x040	SCREW, control plate	1	
G-16	FR18067	ROD, control	1	
G-17	FR41295	SPRING, throttle lever	1	
G-18	FR42734	NUT, governor lever	2	
G-19	FR18076	SPRING, governor	1	
G-20	FA21181	LEVER, governor	1	
G-21	FR18198	CLIP	1	
G-22	W200H06	WASHER	1	
G-23	FR18717	BUSH, governor shaft	1	
G-24	FR42937	SCREW, muffler cover	3	
G-25	W205H08	WASHER, muffler	2	
G-26	FR45171	NUT, muffler	2	
G-27	ZZ70011xx016	BOLT, muffler bracket	1	
G-28	FR41990	COVER, muffler	1	
G-29	FA21286	MUFFLER	1	
G-30	FR18187	GASKET, muffler	1	
G-31	FR18733	ELBOW, inlet	1	
G-32	B081A05x044	BOLT, inlet elbow	1	

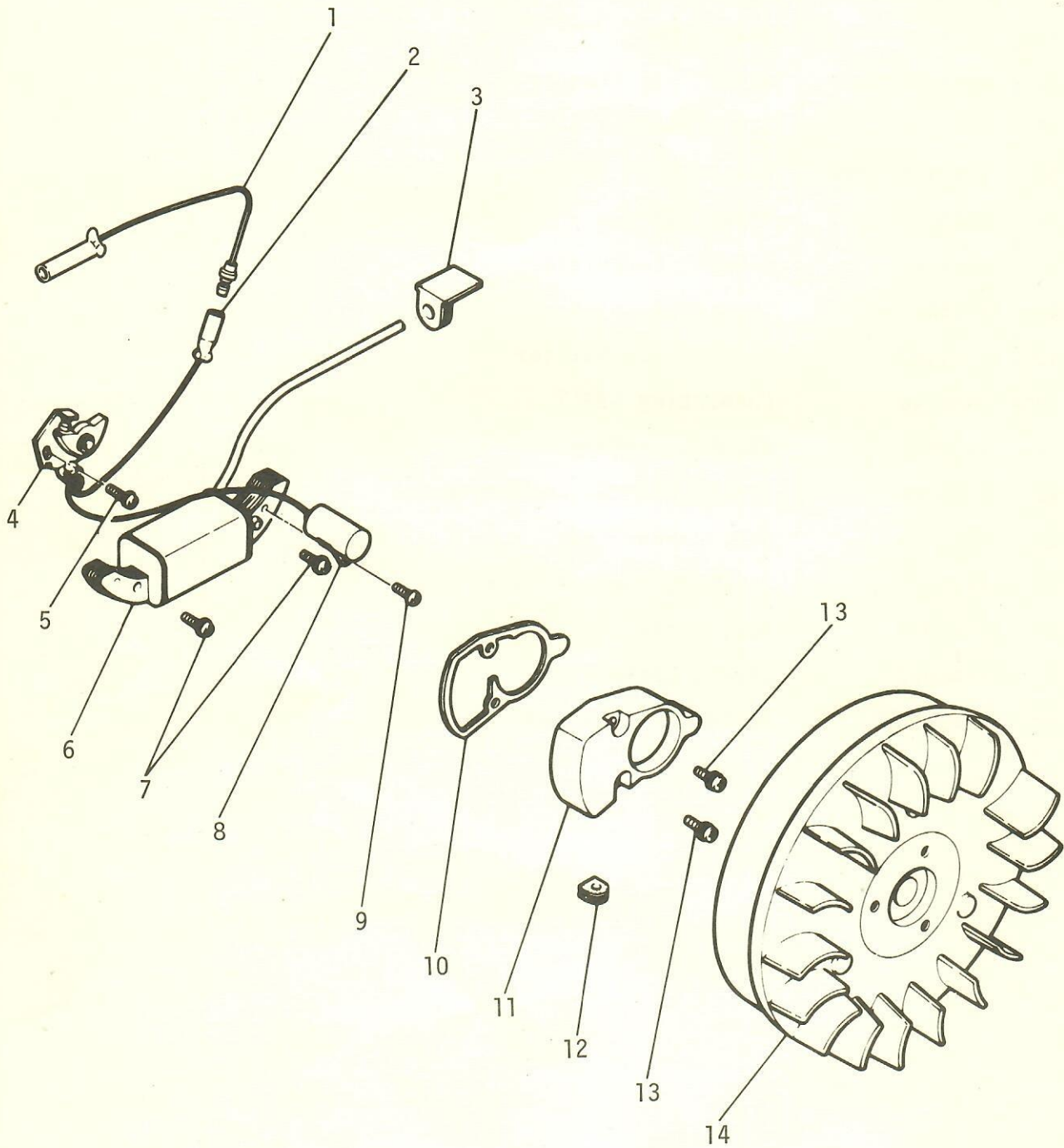
G. ENGINE GROUP



G. ENGINE GROUP

NO.	PARTS NO.	PARTS NAME	Q' TY	REMARKS
G-33	B081A05x060	BOLT, inlet elbow	1	
G-34	P002W80x220B	PIPE, breather	1	
G-35	FR18339	SNAP RING	2	
G-36	FR43939xx002	CLAMP, air cleaner	1	
G-37	FR43939	AIR CLEANER ASS'Y	1	Inc. 36,38,39
G-38	FR43800xx001	OIL PAN	1	
G-39	FR43939xx003	RING, oil pan	1	
G-40	FR18068	GASKET, carburetor	1	
G-41	FR18580	INSULATOR, beat	1	
G-42	FR41593	PACKING, carburetor	1	
G-43	FA21346	CARBURETOR ASS'Y	1	
G-44	W200H06	WASHER, carburetor	2	
G-45	W220R06	SPRING WASHER, carburetor	2	
G-46	N001A06	NUT, carburetor	2	
G-47	FR18073	PACKING, suction pipe	2	
G-48	FR42955	ROD, choke	1	
G-49	FR42962	LABEL, choke	1	
G-50	FR42956	BRACKET, choke rod	1	

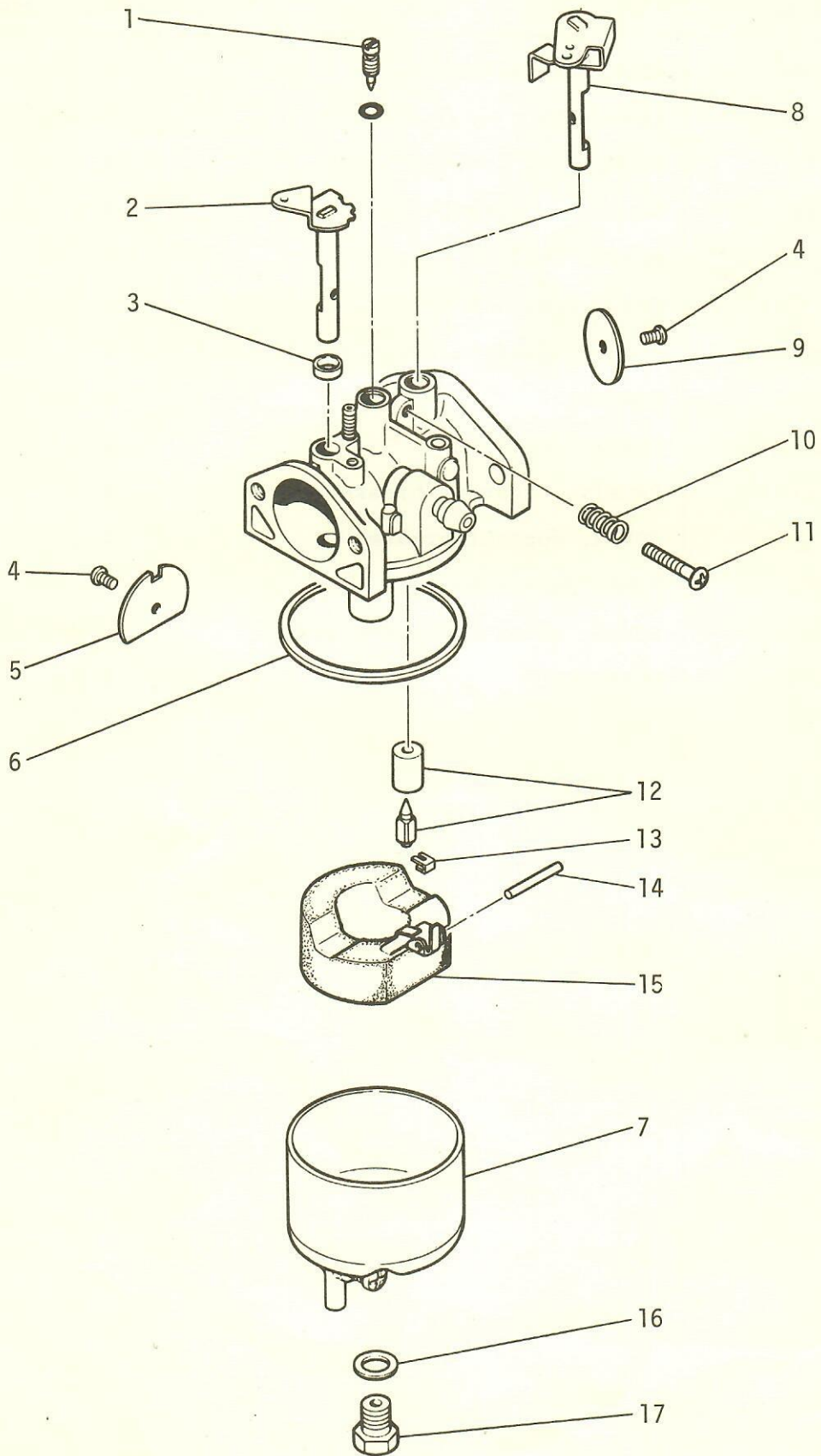
H. FLYWHEEL MAGNETO GROUP



H. FLYWHEEL MAGNETO GROUP

NO.	PARTS NO.	PARTS NAME	Q'TY	REMARKS
H - 1	FR63858B	WIRE, extension	1	
H - 2	FA24046A	LEAD WIER	1	
H - 3	FA21150	BUSH, dust seal	1	
H - 4	FA24018	BREAKER, contact	1	
H - 5	H071D04x010	SCREW, contact breaker	1	
H - 6	FA24016A	COIL, ignition	1	
H - 7	H071D05x025	SCREW, ignition coil	2	
H - 8	FA24017A	CONDENSER	1	
H - 9	H081D04x012	SCREW, condenser	1	
H-10	FA21144	PACKING, contact breaker cover	1	
H-11	FA21149	COVER, contact breaker	1	
H-12	FA21289	BUSH, dust seal	1	
H-13	H071D04x25	SCREW, contact breaker cover	2	
H-14	FA21146	FLYWHEEL	1	

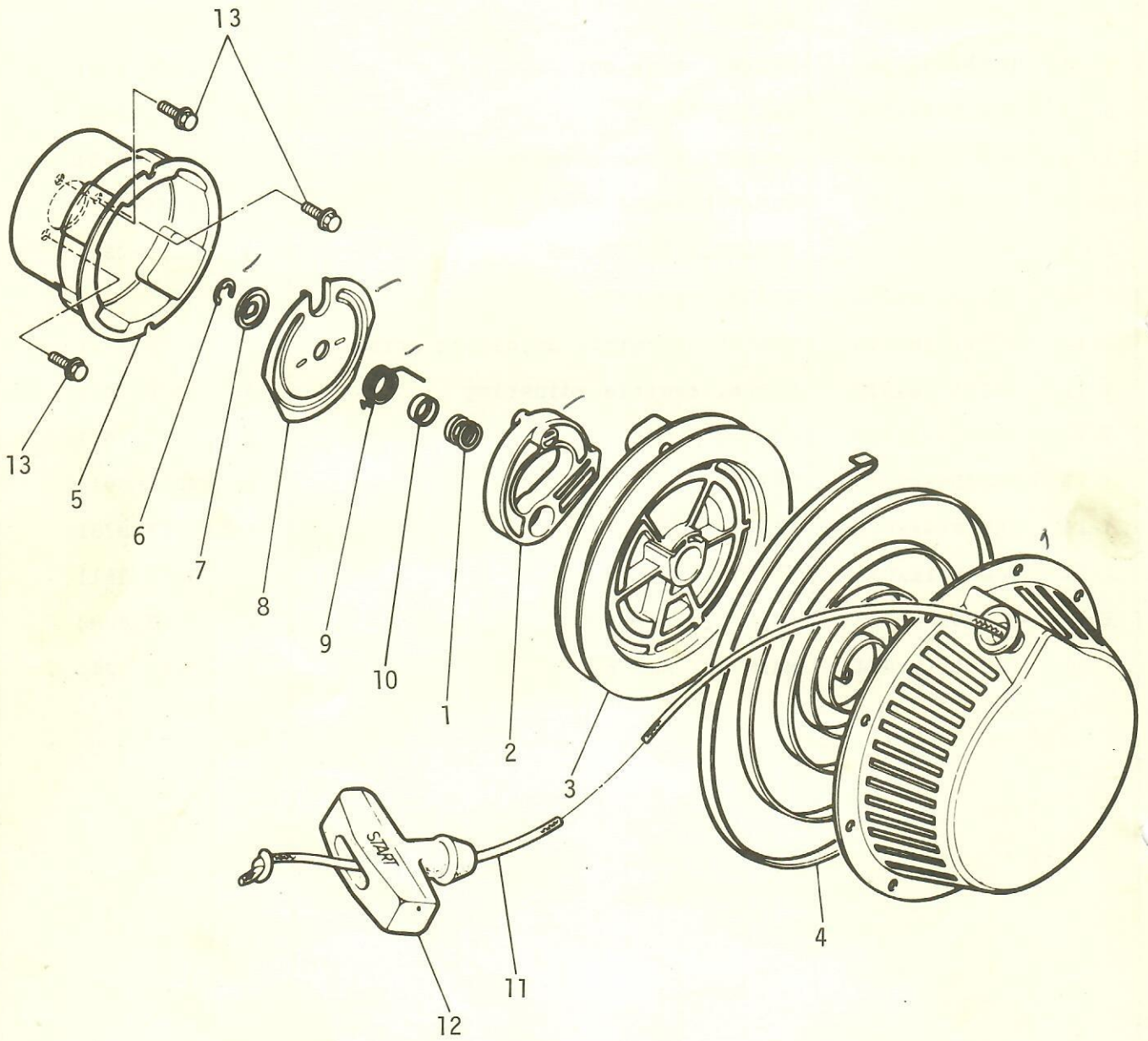
J. CARBURETOR GROUP



J. CARBURETOR GROUP

NO.	PARTS NO.	PARTS NAME	Q'TY	REMARKS
J - 1	FC06034xx001	NEEDLE, slow agjusting	1	6034-0011
J - 2	FC03015xx250	CHOKE SHAFT ASS'Y	1	3215-2501
J - 3	FC02105xx227	WASHER	1	2105-2271
J - 4	FC16403xx005	SCREW, valve set	2	1640-3005
J - 5	FC02013xx150	VALVE, CHOKE	1	2013-1671
J - 6	FC02068xx245	GASKET, float chamber	1	2068-2451
J - 7	FC06004xx517	FLOAT CHAMBER ASS'Y	1	6004-5171
J - 8	FC03016xx251	THROTTLE SHAFT ASS'Y	1	3216-2511
J - 9	FC02012xx220	VALVE, throttle	1	2012-2201
J-10	FC02175xx975	SPRING, throttle adjusting screw	1	2175-9751
J-11	FC16104xx020	SCREW, trottle adjusting	1	1610-4020
J-12	FC02057xx033	VALVE, FLOAT	1	2057-0331
J-13	FC02058xx001	CLIP	1	2058-0011
J-14	FC02054xx023	PIN, FLOAT	1	2054-0231
J-15	FC03051xx081	FLOAT ASS'Y	1	3051-0811
J-16	FC19430xx080	GASKET, main jet	1	1943-0080
J-17	FC05111xx074	MAIN JET ASS'Y	1	5111-0741

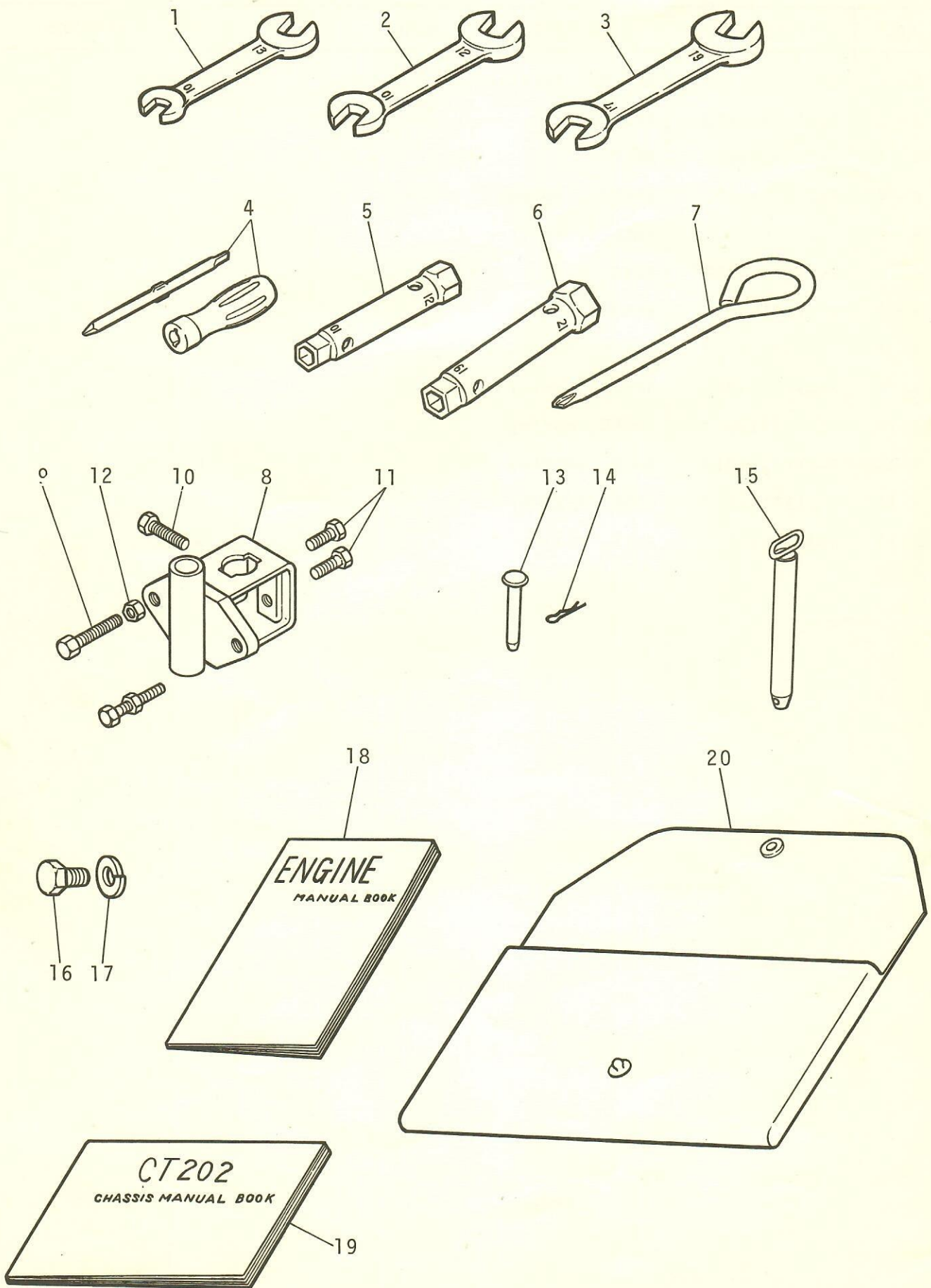
K. RECOIL STARTER GROUP



K. RECOIL STARTER GROUP

NO.	PARTS NO.	PARTS NAME	Q'TY	REMARKS
K - 1	FA21171xx006	SPRING, friction	1	
K - 2	FA21171xx003	RATCHET	1	
K - 3	FA21171xx002	REEL	1	
K - 4	FA21171xx005	SPRING, spiral	1	
K - 5	FA21198	PULLEY, starter	1	
K - 6	FA21171xx010	RING, E	1	
K - 7	FA21171xx007	WASHER, thrust	1	
K - 8	FA21171xx004	PLATE, friction	1	
K - 9	FA21171xx008	SPRING, return	1	
K-10	FA21171xx009	COVER, spring	1	
K-11	FA21171xx013	ROPE, starter	1	
K-12	FA21171xx012	STARTER KNOB ASS'Y	1	
K-13	B081A06x016	BOLT, pulley	3	

L. TOOL GROUP



L. TOOL GROUP

NO.	PARTS NO.	PARTS NAME	Q'TY	REMARKS
L - 1		SPANNER 10x13	1	
L - 2		SPANNER 10x12	1	
L - 3		SPANNER 17x19	1	
L - 4		DRIVER, ⊕ ⊖	1	
L - 5		BOX SPANNER 10x12	1	
L - 6		BOX SPANNER 19x21	1	
L - 7		DRIVER, screw ⊕	1	
L - 8	M9-1411a	CULTI SOCKET	1	
L - 9	MBt-1260	BOLT M12x60ℓ	2	
L-10	MBt-1240	BOLT M12x40ℓ	1	
L-11	MBt-1230	BOLT M12x30ℓ	2	
L-12	MNt-1200	NUT M12	2	
L-13	M26-1114	PIN, wheel	2	
L-14	60346	"R" PIN 10ϕ	4	
L-15	M26-414.a	KING PIN	2	
L-16	MBt-1220	BOLT	2	
L-17	MSW-1200	WASHER, spring 12ϕ	2	
L-18		MANUAL BOOK, engin	1	
L-19		MANUAL BOOK, main	1	
L-20		TOOL BAG	1	

INDEX

Parts No.	Page	Parts No.	Page	Parts No.	Page
[A]		[E]		FA21300	20
A001W14	18	E10023112200	12	FA21346	26
A904415	16			FA24016A	28
A905743	16	[F]		FA24017A	28
A906297	12	F257506000	14	FA24018	28
A906325	16	F257508000	16	FA24046	28
A906326	12	FA21005	20	FC02012xx220	30
A906327	16	FA21007	20	FC02013xx150	30
A906343	12	FA21120	18	FC02054xx023	30
A906345	12	FA21124A~D	20	FC02057xx033	30
A906346	12	FA21125	22, 28	FC02058xx001	30
A906348	12	FA21139	20	FC02068xx245	30
A906351	12	FA21140B	18	FC02105xx227	30
A906352	12	FA21141B	20	FC02175xx975	30
A906353	12	FA21143	20	FC03015xx250	30
A906354	12	FA21144	28	FC03016xx251	30
A906359	12	FA21145	28	FC03051xx081	30
A906360	12	FA21146	28	FC05111xx074	30
A906363	12	FA21149	28	FC06004xx517	30
A906365	12	FA21150	28	FC06034xx001	30
A906367	12	FA21151A	18	FC16104xx020	30
A906372	12	FA21159	20	FC16403xx005	30
A906374	12	FA21170	22	FC19430xx080	30
AR-47	8	FA21171xx002	32	FN11152	18
		FA21171xx003	32	FN11223	18
[B]		FA21171xx004	32	FN14784	18
B011A06x010	18, 24	FA21171xx005	32	FN15498J	20
B081A05x044	24	FA21171xx006	32	FN15808	20
B081A05x060	26	FA21171xx007	32	FN15861	20
B081A06x016	32	FA21171xx008	32	FR18009	18
B091A06x012	22	FA21171xx009	32	FR18011	20
B151A06x025	18	FA21171xx010	32	FR18012	20
B901C08M035	18	FA21171xx012	32	FR18013	20
Bb-6003	6	FA21171xx013	32	FR18022	20
Bb-6007	8	FA21181	24	FR18067	24
Bb-6202	6	FA21198	32	FR18068	26
BG01433	24	FA21272B	22	FR18073	26
BG01474	24	FA21274	18	FR18076	24
BG01475	24	FA21278A~C	20	FR18082	24
BG01556	18	FA21283	22	FR18187	24
BG01558	18	FA21284	22	FR18198	24
BG03560	12	FA21286	24	FR18339	26
BG04168	24	FA21289	28	FR18429A	18

INDEX

Parts No.	Page	Parts No.	Page	Parts No.	Page
FR18437	24	FR63858B	28	M26-414A	34
FR18580	26			M26-663	12
FR18587	18, 20	[G]		M26-1114	34
FR18717	24	G500B-29	16	M40-455	12
FR18733	24			M49-631	12
FR41009	24	[H]		M54-211	6
FR41179	18	H051D04x008	24	M54-212	6
FR41238	18	H051D04x040	24	M54-213	6
FR41261A ~D	18	H071D04x010	28	M54-214	6
FR41295	24	H071D04x25	28	M54-215	6
FR41323	20	H081D04x012	28	M54-217a	8
FR41350	20	H081D05x012	28	M54-218a	8
FR41450	20	H081D06x012	22	M54-219	6
FR41491	18			M54-220	8
FR41593	26	[K]		M54-223	8
FR41767A	24	K-419	10	M54-311	2
FR41990	24			M54-312a	2
FR42734	24	[M]		M54-313	2
FR42847	20	M7-118	2	M54-314	2
FR42937	24	M7-129a	2	M54-316	2
FR42955	26	M7-217a	6	M54-317	2
FR42956	26	M7-2346	6	M54-414	10
FR42962	26	M7-237	6	M54-415	10
FR43071	18	M7-238	6	M54-416	10
FR43072	18	M7-313a	2, 6	M54-417	10
FR43217	24	M7-314	2	M54-512	10
FR43800xx001	26	M7-814	8, 16	M54-711	16
FR43939	26	M7-835	12	M54-816	16
FR43939xx002	26	M7-918	2, 12	M54-818	14
FR43939xx003	26	M8-817a	16	M54-825	16
FR44021	24	M8-1016	4, 12	M54-913	2
FR44025	24	M9-1411a	34	M54-2005	16
FR45171	24	M13-824	12	M54-2006	16
FR54078	22	M13-825	12	M57-812a	16
FR56302	20	M23-216	6	M57-813	16
FR56308	18	M23-224	6	M57-816a	16
FR56317	18	M23-255	6	M57-819	16
FR56371	18	M23-263	6	M60-116	2
FR56619A	20	M23-416	10	M62-116	2
FR56761	20	M23-513	10	M62-212	6
FR56791	22	M23-514A	10	M62-213a	6
FR62008	22	M24-814	16	M62-214b	6
FR63087	22	M24-815	16	M62-215a	6

INDEX

Parts No.	Page	Parts No.	Page	Parts No.	Page
M62-221	6	MBt-1235	10	[R]	
M62-222	8	MBt-1240	34	RP-06	14
M62-224	8	MBt-1260	34		
M62-225	8	MCRSD-0512	14	[S]	
M62-226	8	MCRSD-0816	16	S111x62x030	20
M62-511	10	MCRSR-0514	8	S111x62x050	18
M62-911	2	MCRSR-0610	4	S112x63x050	18
M62-1017	12	MCRRR-0617	10	SB-2500	2
M62-1018	12	MFW-0600	4	SB-3000	8
M62-1022	2	MFW-0800	16	SC-1300	14
M62-1023	2	MFW-1000	6	SC-3114	14
M62-1024	4	MFW-1200	4	SF-18	4
M62-1025	4	MFW-1600	14	StP-1612	14
M62-1311	4	MRSBT-0613	10	StP-1615	4
M65-620	12	MNt-0600	2,10	StP-2015	14
M65-912	4	MNt-0800	4,10,16	StP-3020	2
M67-219	6	MNt-0800L	2	StP-3025	14
M67-712	16	MNt-1000	2,6,10,14	SRR-35	6
M67-814	16	MNt-1000L	4	SRR-62	8
M79-111a	2	MNt-1200	10	SRS-12	4, 16
M79-112	4	MSW-0600	2, 10	SRS-15	8
M79-611	12	MSW-0800	4,10,16	SRS-60	14
M79-614	14	MSW-1000	2,6,10,14		
M79-615	14	MSW-1200	34	[T]	
M79-811	14	MVSF-0612	2	TP-3525	2
M79-812	16				
M79-1311	12	[N]		[V]	
M79-1312	16	N001A06	26	VBSB-33	16
MBt-0612	2	N6151917	8		
MBt-0614	2			[W]	
MBt-0616	4	[O]		WR-37	6
MBt-0816	16	OR-12	2	W200H06	24, 26
MBt-0820	16	OR-14	8	W200H08	18
MBt-0850	10	OR-16	6	W220R06	24, 26
MBt-0870	14	OS-SC-15357	6	W205H08	24
MBt-1016	14	OS-SC-17357	6	W400B05x012	20
MBt-1020	14	OS-QLFY-35621319	8	W620D03x010	20
MBt-1025	14				
MBt-1045	10	[P]		[Z]	
MBt-1055	6	P002W80x220B	26	ZZ70003B	18
MBt-1200	34			ZZ70011xx016	24
MBt-1220	34	[Q]		[記号なし]	
MBt-1230	34	QFLY-35621319	8	60346	4, 34