

三菱ミニロータ  
MITSUBISHI MINI ROTOR

CT122

三菱ミニロータ  
MINI ROTOR  
CT122

パーツリスト  
PARTS LIST

パーツリスト



三菱機器販売株式会社

MITSUBISHI

AGRICULTURAL MACHINERY CORPORATION

## Remarks on This Parts List

1. This parts list includes all parts for the Mitsubishi Mini Rotor Model CT122.
2. The figures in the drawings are the item numbers which are at the left side of the list as index number.
3. The drawings are showing exploded condition as well showing the sequence of reassembling the exploded parts to an original assembly.
4. When ordering parts, please indicate the **Parts number and name** clearly and apply to the nearest agent or dealer in your territory.

## CONTENTS

SECTION NAME	PAGE
A. TRANSMISSION CASE GROUP .....	2
B. TRANSMISSION GEAR GROUP .....	4
C. CHASSIS & FENDER GROUP .....	6
D. HANDLE GROUP .....	8
E. CONTROL GROUP .....	10
F. ENGINE • BONNET & BELT COVER • TENSION GROUP .....	12
H. ENGINE GROUP (1) .....	16
J. ENGINE GROUP (2) .....	20
K. FLYWHEEL MAGNET ASS'Y .....	24
L. CARBURETOR ASS'Y .....	26
M. AIR CLEANER ASS'Y .....	28
N. RECOIL STARTER ASS'Y .....	30
P. TOOL GROUP .....	32

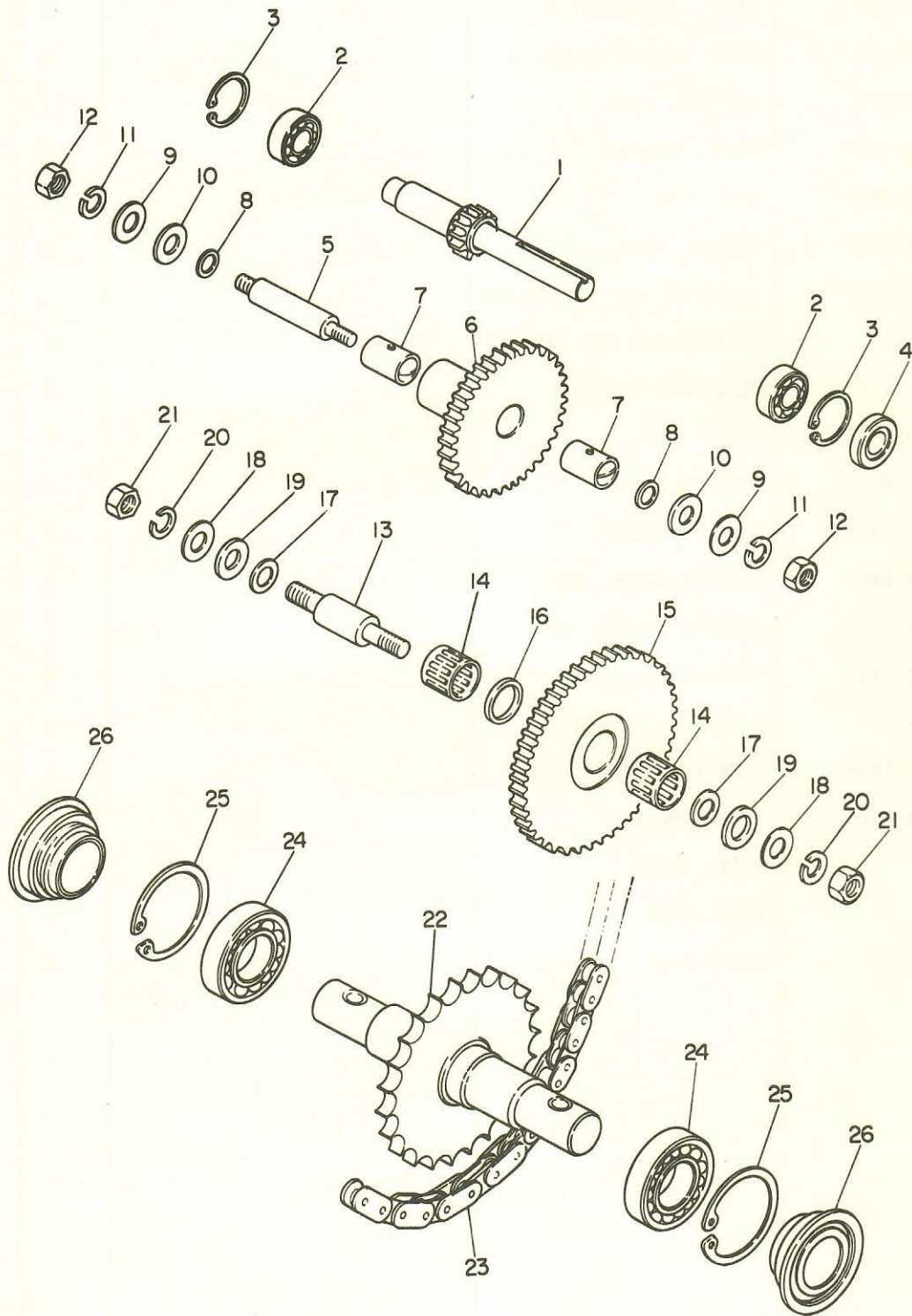




# A TRANSMISSION CASE GROUP

NO.	PARTS NO.	PARTS	NAME	Q' TY	REMARKS
A - 1	M87-111-1	CASE, transmission L		1	
A - 1	M87-111-2	CASE, transmission R		1	
A - 2	M23-152	PACKING, case		1	
A - 3	MBt-0614	BOLT M6x14ℓ		18	
A - 4	MNt-0600	NUT M6		20	
A - 5	MSW-0600	WASHER, spring		20	
A - 6	M7-129.a	BOLT, oil out let M8x10ℓ		1	
A - 7	M7-118	PACKING oil out let		1	
A - 8	M60-116	PLUG, oil inlet		1	
A - 9	OS-SC-355	SEAL CAP		1	
A-10	M87-816	STOPPER, belt		1	
A-11	MBt-0820	BOLT M8x20ℓ		1	
A-12	MFW-0800	WASHER, plain 8ø		1	
A-13	MSW-0800	WASHER, spring 8ø		1	
A-14	M65-715	BRACKET, strainer		1	
A-15	SF-18	STRAINER SF-18		1	
A-16	MNt-1000L	LOCK NUT M10		1	
A-17	MBt-0618	BOLT M6x18ℓ		2	
A-18		PIPE, fuel		1	
A-19		PIPE, fuel		1	
A-20	906360	CRIP 10ø		4	

# B TRANSMISSION GEAR GROUP

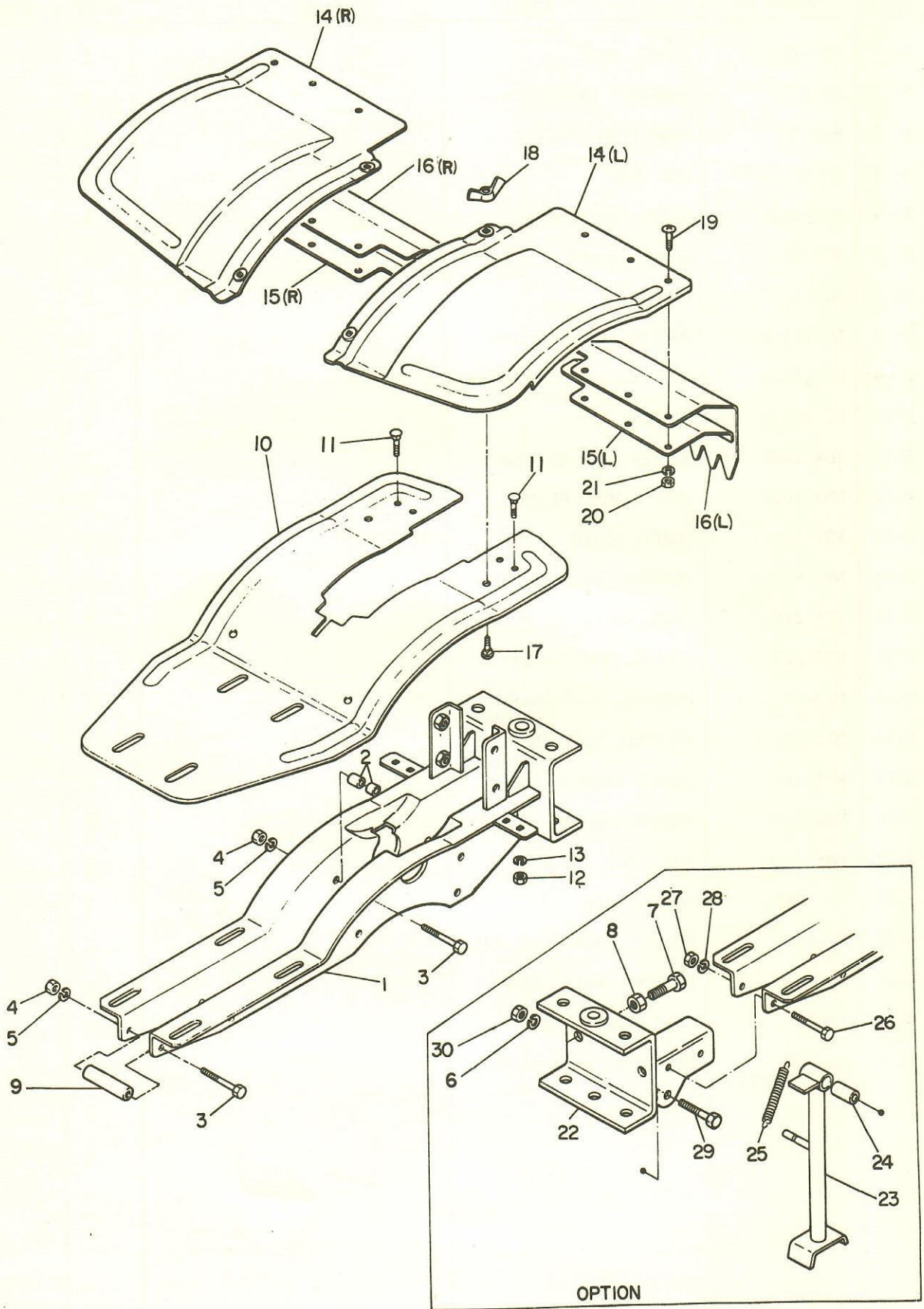


# B TRANSMISSION GEAR GROUP

NO.	PARTS NO.	PARTS	NAME	Q' TY	REMARKS
B - 1	M87-211	SHAFT, main		1	
B - 2	Bb-6202	BEARING, ball		2	
B - 3	SRR-35	SNAP RING R-35		2	
B - 4	OS-SC-15357	OIL SEAL		1	
B - 5	M23-255	SHAFT, with screw		1	
B - 6	M77-212	GEAR, second		1	
B - 7	M23-256	BSUH "A"		2	
B - 8	M7-313.a	PACKING, shifter rod		2	
B - 9	M7-234.b	PACKING, shaft with screw (outside)		2	
B-10	M7-217.a	WASHER "A"		2	
B-11	MSW-1000	WASHER, spring 10 $\phi$		2	
B-12	MNt-1000	NUT M10 P1.25		2	
B-13	M77-213	SHAFT, third		1	
B-14	Nb-162010	BEARING, needle KT-162010		2	
B-15	M77-214	GEAR, third		1	
B-16	M77-215	COLLAR, third shaft		1	
B-17	M13-121.a-1	PACKING, back shaft (inside)		2	
B-18	M13-121.a	PACKING, back shaft (outside)		2	
B-19	M77-216	THRUST WASHER 12 $\phi$		2	
B-20	MSW-1200	WASHER, spring 12 $\phi$		2	
B-21	MNt-1200	NUT, M12 P1.5		2	
B-22	M77-217	SHAFT, axle		1	
B-23	RC-4044	ROLLER CHAIN 4/8" 44L		1	
B-24	Bb-6006	BEARING, ball #6006		2	
B-25	SRR-55	SNAP RING, R-55		2	
B-26	OS-QLFY- 30551319	OIL SEAL, axle shaft		2	



# C CHASSIS & FENDER GROUP

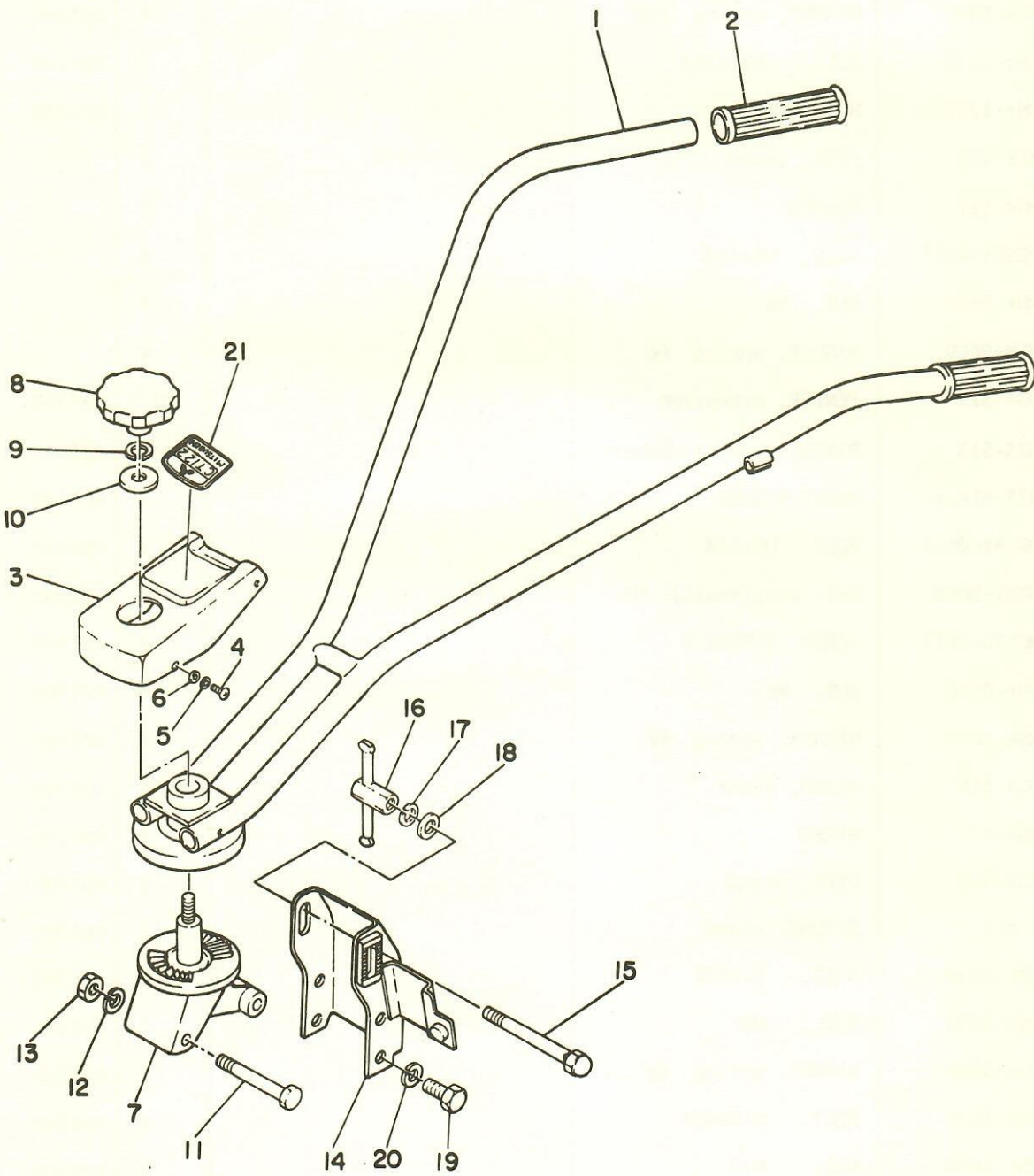




# C CHASSIS & FENDER GROUP

NO.	PARTS NO.	PARTS	NAME	Q' TY	REMARKS
C - 1	M77-411	FRAME, chassis		1	
C - 2	M23-416	COLLAR, tightening case		8	
C - 3	MBt-0850	BOLT, M8x50ℓ		5	
C - 4	MNt-0800	NUT, M8		5	
C - 5	MSW-0800	WASHER, spring 8φ		5	
C - 6	MSW-1000	WASHER, spring 10φ		1	option
C - 7	MBt-1235	BOLT, M12x35ℓ		2	option
C - 8	MNt-1200	NUT, M12		2	option
C - 9	M23-415	PIPE, stand		1	
C-10	M54-511	FENDER		1	
C-11	MRSBt-0613	BOLT, M6x13ℓ		4	
C-12	MNt-0600	NUT, M6		4	
C-13	MSW-0600	WASHER, spring 6φ		4	
C-14	M54-512	FENDER, extention		R,L 1	option
C-15	M23-513	PLATE, setting nubber		R,L 1	option
C-16	M23-514.a	SHEET RUBBER		2	option
C-17	MRSBt-0613	BOLT M6x13ℓ		4	option
C-18	MBNt-0600	NUT, wing(small), M6		4	option
C-19	MCRSR-0617	SCREW ⊕ M6x17ℓ		6	option
C-20	MNt-0600	NUT, M6		6	option
C-21	MSW-0600	WASHER, spring 6φ		6	option
C-22	M54-414	HITCH, front		1	option
C-23	M54-415	STAND		1	option
C-24	M54-416	PIPE, stand		1	option
C-25	K-419	SPRING, stand		1	option
C-26	MBt-0850	BOLT, M8x50ℓ		2	option
C-27	MNt-0800	NUT, M8		2	option
C-28	MSW-0800	WASHER, spring 8φ		2	option
C-29	MBt-1045	BOLT, M10x45ℓ		1	option
C-30	MNt-1000	NUT, M10		1	option

# D HANDLE GROUP

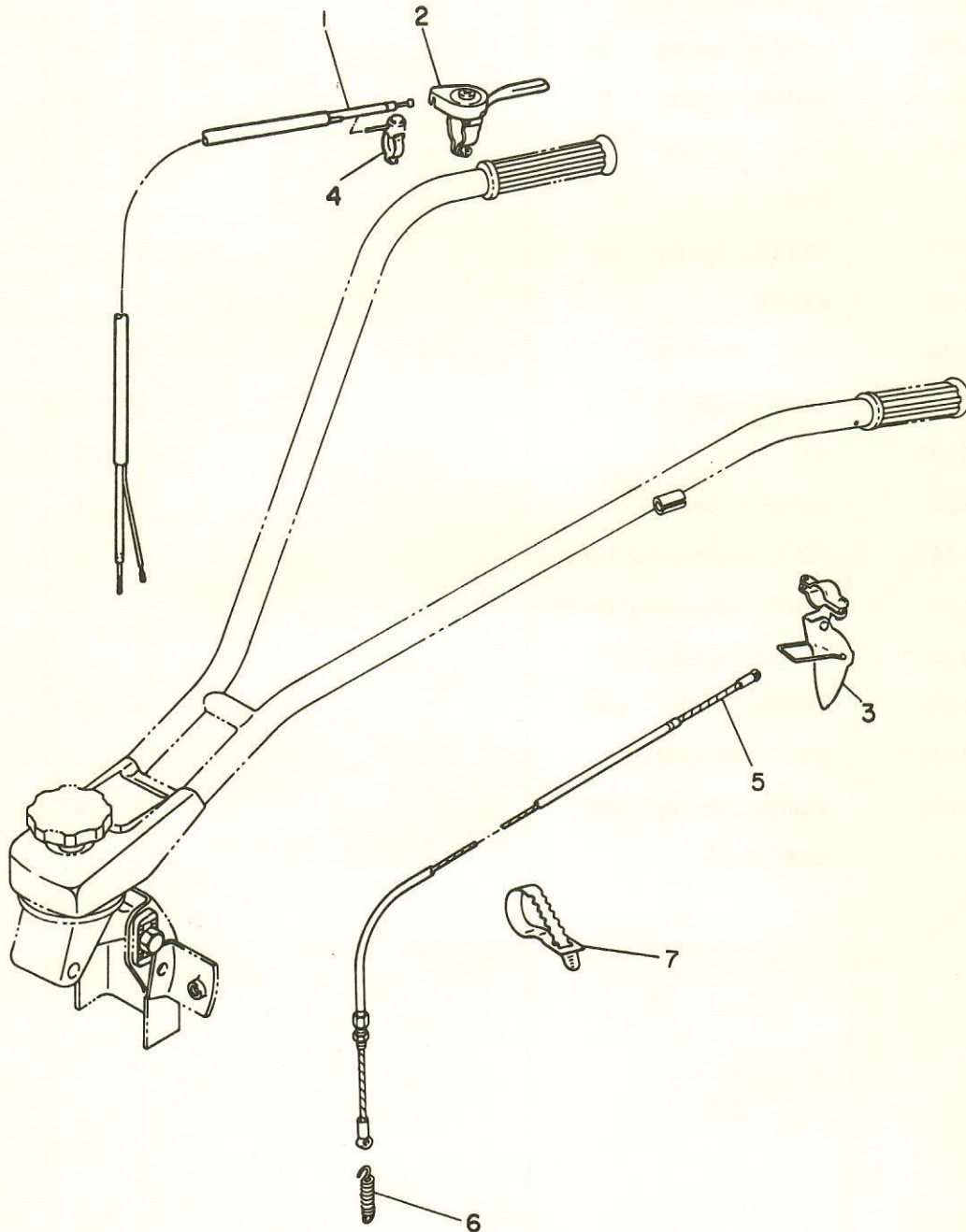


# D HANDLE GROUP

NO.	PARTS NO.	PARTS	NAME	Q' TY	REMARKS
D-1	M77-621	HANDLE		1	
D-2	60420	GRIP, handle		2	
D-3	M77-612	COVER, handle		1	
D-4	MCRSR-0510	SCREW, $\oplus$ M5x10 $\ell$ P0.8		4	
D-5	MSW-0500	WASHER, spring 5 $\phi$		4	
D-6	MFW-0500	WASHER, plain 5 $\phi$		4	
D-7	M78-3112	TABLE, handle		1	
D-8	M77-615	KNOB		1	
D-9	MSW-1400	WASHER, spring 14 $\phi$		1	
D-10	M77-616	WASHER		1	
D-11	MBt-1290	BOLT M12x90 $\ell$		1	
D-12	MSW-1200	WASHER, spring 12 $\phi$		1	
D-13	MNt-1200	NUT M12		1	
D-14	M87-612	BRACKET, handle		1	
D-15	M77-618	BOLT, tightening handle		1	
D-16	M77-617	CLAMP, adjusting handle		1	
D-17	MSW-1200	WASHER, spring 12 $\phi$		1	
D-18	MFW-1200	WASHER, plain 12 $\phi$		1	
D-19	MBt-1020	BOLT M10x20 $\ell$		4	
D-20	MSW-1000	WASHER, spring 10 $\phi$		4	
D-21	M87-613	NAME PLATE		1	



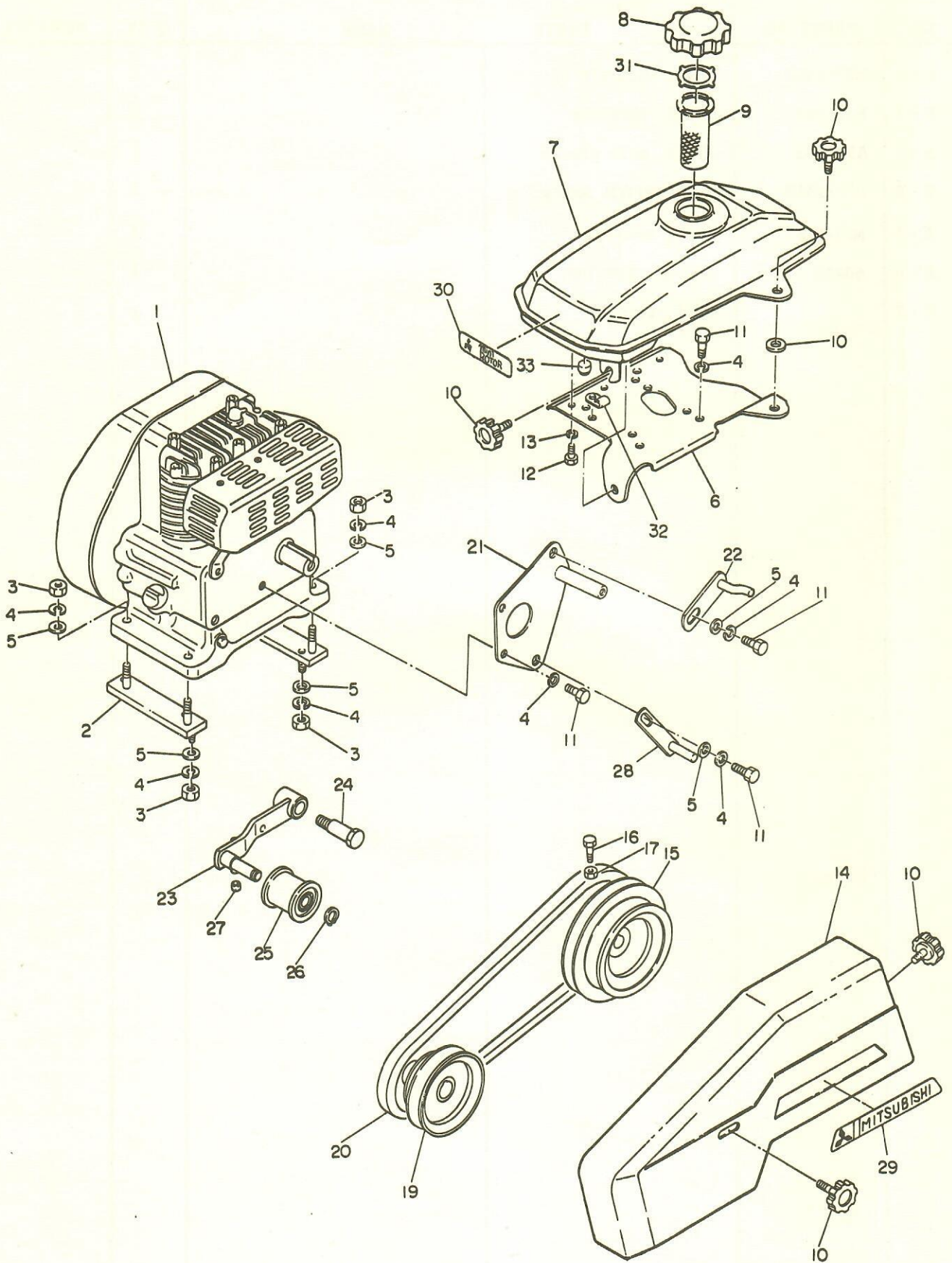
# E CONTROL GROUP



# E CONTROL GROUP

NO.	PARTS NO.	PARTS	NAME	Q' TY	REMARKS
E - 1	M77-1312	WIRE, throttle		1	
E - 2	E320163	LEVER, throttle		1	
E - 3	A906361	LEVER, main clutch		1	
E - 4	M77-1313	STOP SWITCH Ass'y		1	
E - 5	M77-814	WIRE, tension		1	
E - 6	60496	SPRING, tension		1	
E - 7		BELT, free up		2	

# F ENGINE • BONNET & BELT COVER • TENSION GROUP





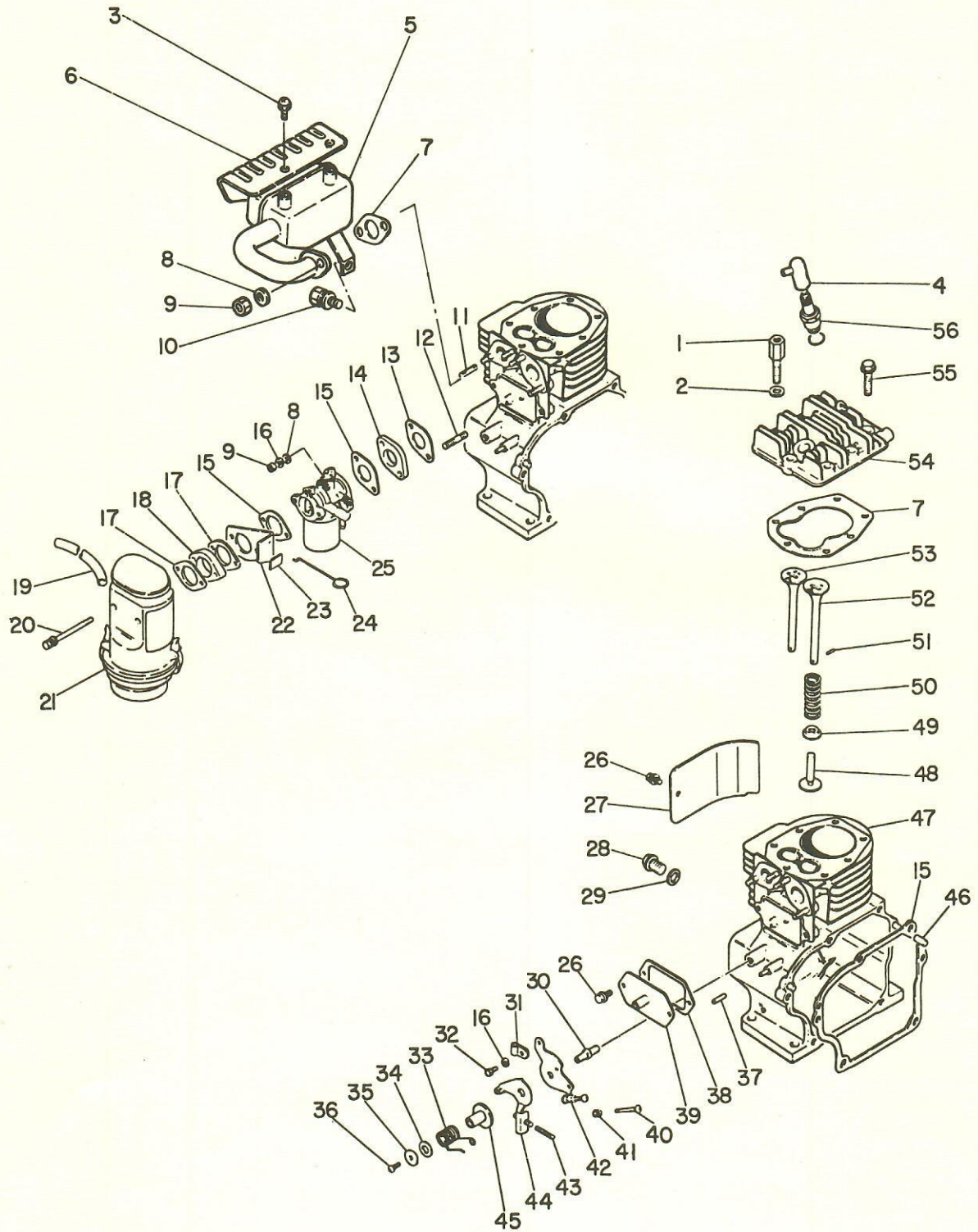
# F ENGINE · BONNET & BELT COVER · TENSION GROUP

NO.	PARTS NO.	PARTS	NAME	Q' TY	REMARKS
F - 1	F25L-2-05	ENGINE Ass'y		1	
F - 2	M87-1311	ENGINE BASE		2	
F - 3	MNt-0800	NUT, M8		8	
F - 4	MSW-0800	WASHER, spring 8φ		16	
F - 5	MFW-0800	WASHER, plain 8φ		10	
F - 6	M87-711	TANK BRACKET		1	
F - 7	M86-711	FUEL TANK		1	
F - 8	FR41983	CAP, tank		1	
F - 9	FR44820	FILTER, fuel		1	
F-10	A905743	KNOB		4	
F-11	MBt-0816	BOLT M8x16 $\ell$		8	
F-12	MBt-0612	BOLT M6x12 $\ell$		4	
F-13	MSW-0600	WASHER, spring 6φ		4	
F-14	M77-819	COVER, belt		1	
F-15	M77-817	PULLEY, main		1	
F-16	MBt-0818	BOLT M8x18 $\ell$		1	
F-17	MNt-0800L	NUT, lock M8		1	
F-18	M7-814	KEY (main shaft) 5x5x43 $\ell$		1	
F-19	M77-818	PULLEY, engine.		1	
F-20	VBSB-33	"V" BELT SB-33		1	RED or ORANGE
F-21	M77-812	BRACKET, belt stopper		1	
F-22	M29-875	STOPPER, belt		1	
F-23	M77-813	ARM, tension		1	
F-24	M54-816	BOLT, fitting arm.		1	
F-25	M8-817.a	ROLLER, tension		1	
F-26	SRS-12	SNAP RING S-12		1	
F-27	M54-825	RUBBER, tension		1	
F-28	M58-813	STOPPER, belt		1	
F-29	A906325	LABEL A		1	
F-30	M77-820	LABLE		1	
F-31	G0880Y-VR72	VALVE		1	
F-32	SCF-502085	CLIP		1	

# F ENGINE · BONNET & BELT COVER · TENSION GROUP

NO.	PARTS NO.	PARTS	NAME	Q' TY	REMARKS
F-33	M86-714	RUBBER		3	

# H ENGINE GROUP (1)





# H ENGINE GROUP (1)

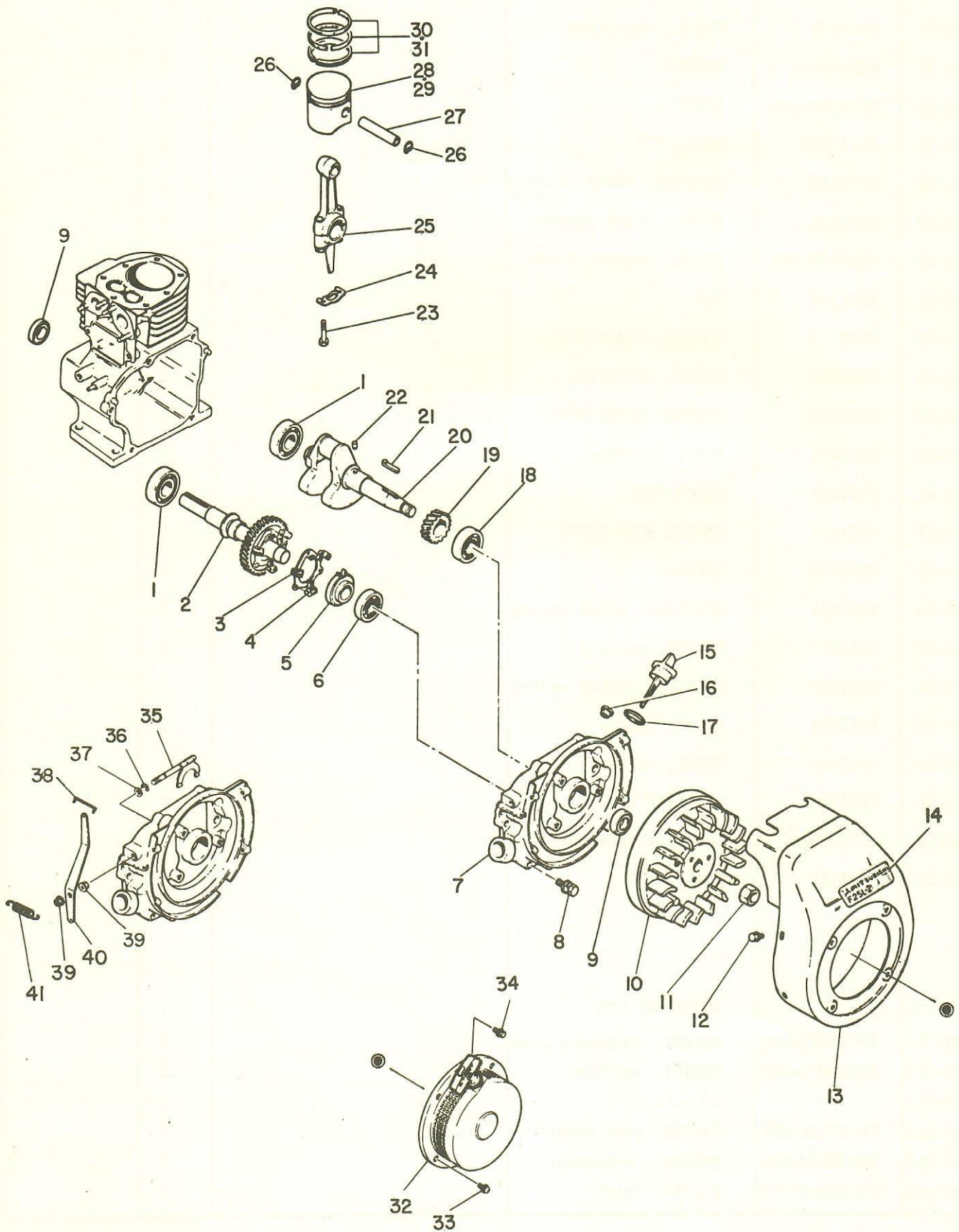
NO.	PARTS NO.	PARTS	NAME	Q' TY	REMARKS
H - 1	B901C08F035	BOLT, cylinder head		4	
H - 2	W205H08	WASHER, cylinder head		4	
H - 3	FR42937	SCREW, muffler cover		3	
H - 4	FR62008	CAP, spark plug		1	
H - 5	FR53717	MUFFLER		1	
H - 6	FR41990	COVER, muffler		1	
H - 7	FR53547	GASKET SET		1	P19 cf.
H - 8	W200H06	WASHER		4	
H - 9	N001A06	NUT		4	
H-10	ZZ70010xx016	BOLT & WASHER		1	
H-11	FR53581	STUD BOLT		2	
H-12	FR53582	STUD BOLT		2	
H-13	FR53002	PACKING, carburetor		1	
H-14	FR53003	INSULATOR, heat		1	
H-15	FR53514	PACKING SET		1	P19 cf.
H-16	W220R06	WASHER, spring		3	
H-17	FR53034	PACKING		2	
H-18	FR53033	SPACER		1	
H-19	FR53030	PIPE, breather		1	
H-20	B071A05x070	BOLT, aircleaner		2	
H-21	FR53031B	AIR CLEANER ASS'Y		1	
H-22	FR53006	BRACKET, choke		1	
H-23	FR42962	LABEL, choke		1	
H-24	FR53039	ROD, choke		1	
H-25	FR53560C	CARBURETOR ASS'Y		1	
H-26	B091A06x012	BOLT & WASHER		3	
H-27	FR53565	SIDE PLATE, cylinder		1	
H-28	FN11223	PLUG, DRAIN		1	
H-29	A001W14	PACKING, drain plug		1	
H-30	FR44025	STUD BOLT		1	
H-31	FR18437	END, WIRE		1	
H-32	B011A06x010	BOLT, wire end		1	

# H ENGINE GROUP (1)

NO.	PARTS NO.	PARTS NAME	Q' TY	REMARKS
H-33	BG01425	SPRING, return	1	
H-34	BG01475	PLATE, adjusting		
H-35	BG01433	WASHER	1	
H-36	H051D04x008	SCREW	1	
H-37	FR44091A	KNOCK PIN	1	
H-38	FR53536	PACKING, valve chamber cover	1	
H-39	FR53534	COVER, valve chamber	1	
H-40	H051D04x040	SCREW, control plate	1	
H-41	BG04168	NUT	1	
H-42	FR43217	CONTROL PLATE ASS'Y	1	
H-43	FR18082	SCREW, adjusting	1	
H-44	FR44021	CONTROL LEVER ASS'Y	1	
H-45	BG01474	PIPE, distance	1	
H-46	FR41238	KNOCK PIN	2	
H-47	FR53610	ENGINE BODY ASS'Y	1	
H-48	FR53133	TAPPET	2	
H-49	FR41829	RETAINER, valve spring	2	
H-50	FR41828	SPRING, valve	2	
H-51	FR41830	LOCK PIN, valve spring	2	
H-52	FR53506	VALVE, INLET	1	
H-53	FR53507	VALVE, exhaust	1	
H-54	FR53546	CYLINDER head	1	
H-55	ZZ70003B	BOLT, cylinder head	3	
H-56	FR63087	SPARK PLUG	1	
H - 7		PACKING SET	1	
H - 7-1	FR53547xx001	GASKET, cylinder head	1	
H - 7-2	FR53547xx002	GASKET, muffler	1	
H-15		GASKET SET	1	
H-15-1	FR53001xx001	PAKING, side cover	1	
H-15-2	FR53001xx002	PAKING, carboreear	1	
H-15-3	FR53001xx003	PAKING, inlet	1	



# J ENGINE GROUP (2)





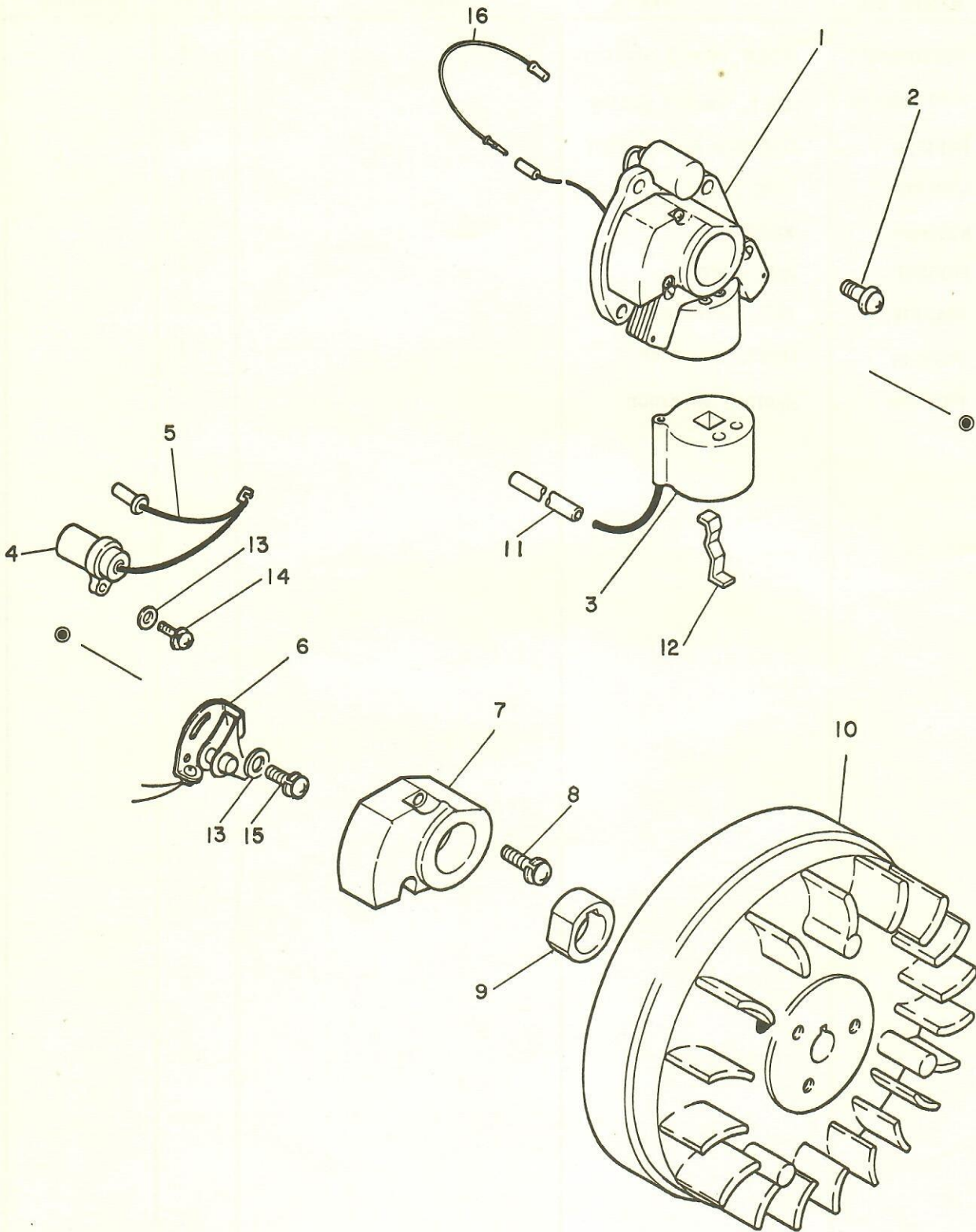
# J ENGINE GROUP (2)

NO.	PARTS NO.	PARTS	NAME	Q' TY	REMARKS
J - 1	FN15746	BEARING, ball		2	#6204
J - 2	FR15490C	CAM GEAR SHAFT ASS'Y		1	
J - 3	FR53541	GOVERNOR WEIGHT ASS'Y		1	
J - 4	W620D03x010	RIVET		3	
J - 5	FR53544	SLEEVE, governor thrust		1	
J - 6	S111x62x030	BEARING, ball		1	
J - 7	FR53611	COVER, SIDE		1	
J - 8	ZZ70010xx035	BOLT, side cover		6	
J - 9	FR41845	OIL SEAL		2	
J-10	FR53620	FLYWHEEL MAGNET ASS'Y		1	
J-11	FR41231	NUT, flywheel		1	
J-12	B091A06x012	BOLT & WASHER		4	
J-13	FR53719	COWLING		1	
J-14	FR42665	NAME PLATE		1	
J-15	FR18429A	PLUG, oil filler		1	
J-16	FR53509	GROMMET		1	
J-17	FN14784	PACKING, oil filler plug		1	
J-18	S110x60x040	BEARING, ball		1	
J-19	FR53614	GEAR, crank shaft		1	
J-20	FR53613	CRANK SHAFT		1	
J-21	FR53629	KEY		1	
J-22	FR18544	PIN		1	
J-23	B001C06x030	BOLT, connecting rod		2	
J-24	FR53532	WASHER, connecting rod		1	
J-25	FR53530A	CONNECTING ROD ASS'Y		1	
J-26	FR41803B	SNAP RING, piston pin		2	
J-27	FR41802B	PIN, PISTON		1	
J-28	FR42149	PISTON PIN SET		1	
J-29	FR42261A-D	PISTON O.S		1	A.0.25 B.0.50 C.0.75 D.1.00
J-30	FR41909	PISTON RING SET S.T.D		1	
J-31	FR42262A-D	PISTON RING SET O.S		1	A.0.25 B.0.50 C.0.75 D.1.00
J-32	FR56424	RECOIL STARTER ASS'Y		1	

# J ENGINE GROUP (2)

NO.	PARTS NO.	PARTS	NAME	Q' TY	REMARKS
J-33	H081D06x010	SCREW ,recoil starter		4	
J-34	B081A06x016	BOLT, recoil pulley		1	
J-35	FR53550	GOVERNOR SHAFT ASS'Y		1	
J-36	S500P05	RING , E		2	
J-37	W205H06	WASHER		1	
J-38	FR18067	ROD, CONTROL		1	
J-39	FR42734	NUT , governor lever		2	
J-40	FR53549	LEVER, governor		1	
J-41	FR18076	SPRING, governor		1	

# K FLYWHEEL MAGNET Ass'Y

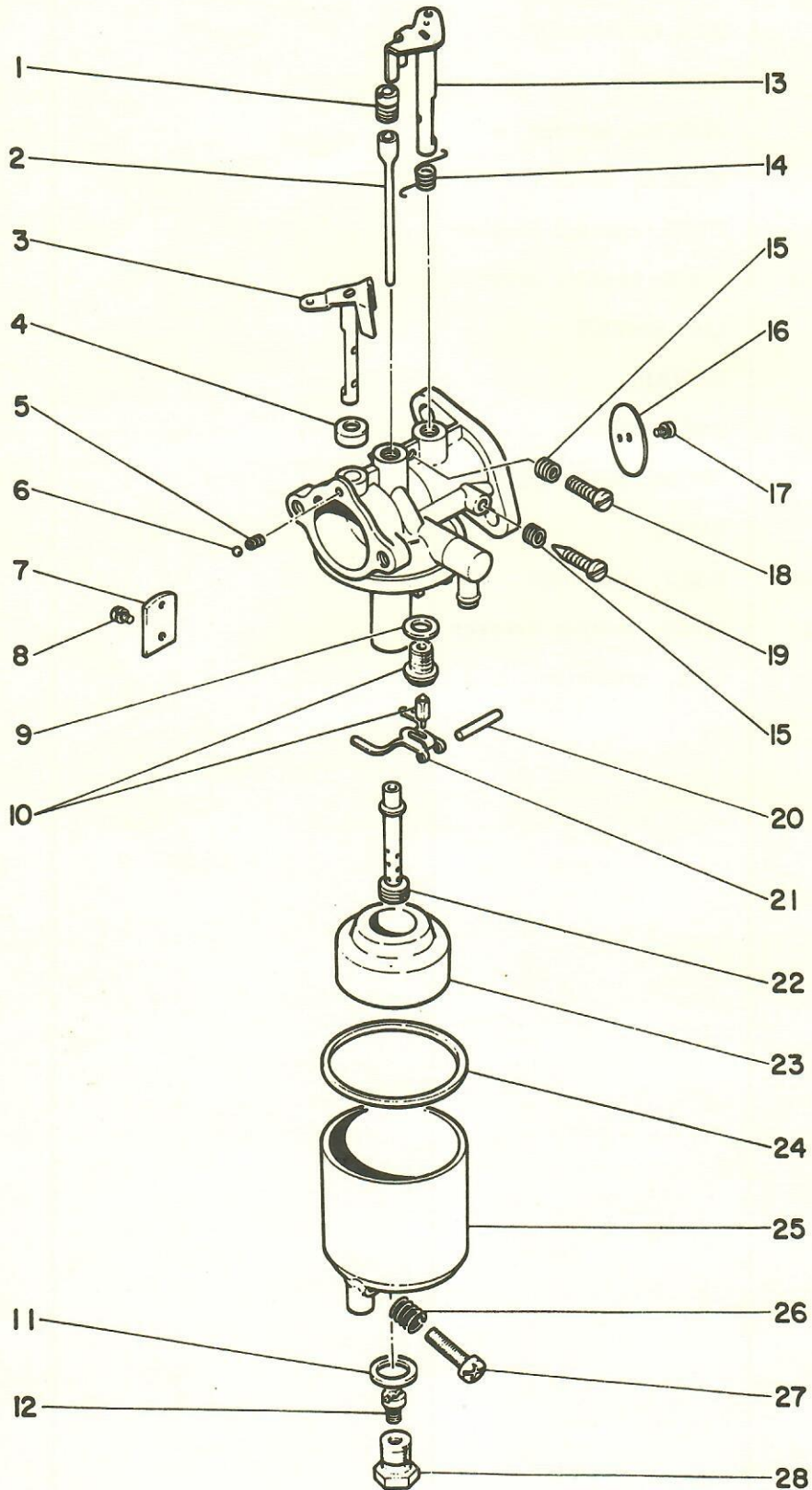




# K FLYWHEEL MAGNET Ass'Y

NO.	PARTS NO.	PARTS	NAME	Q' TY	REMARKS
K - 1	FR41494	IGNITION CIRCUIT		1	
K - 2	H081A06x016	SCREW, ignition circuit		3	
K - 3	FR41498B	COIL, ignition		1	
K - 4	FR41506	CONDENSER		1	
K - 5	FR41518	WIRE, low voltage		1	
K - 6	FR41512	BREAKER, contact		1	
K - 7	FR41510	COVER, contact breaker		1	
K - 8	H081D04x024	SCREW, breaker cover		2	
K - 9	FR41511	CAM CONTACT		1	
K - 10	FR53621	FLYWHEEL		1	
K - 11	FR41494 xx015	TUBE VINYL		1	
K - 12	FR41504	SPRING, coil support		1	
K - 13	W205H04	WASHER		2	
K - 14	H081D04x008	SCREW, condenser		1	
K - 15	H081D04x012	SCREW, contact breaker		1	
K - 16	FR63858B	WIRE, extention		1	

# L CARBURETOR Ass'Y



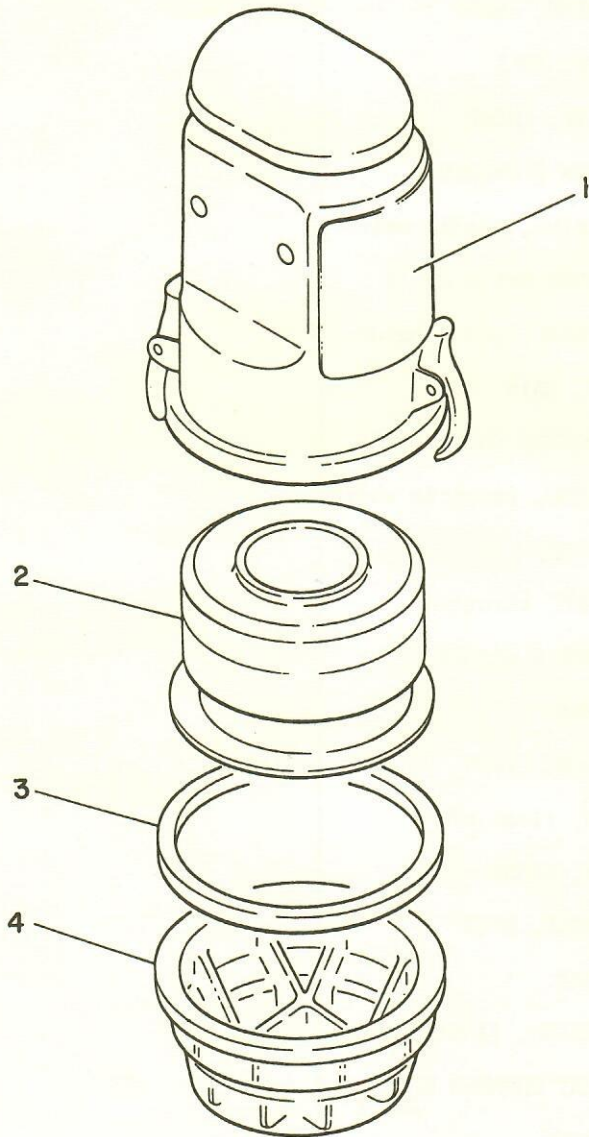


# L CARBURETOR Ass'Y

NO.	PARTS NO.	PARTS	NAME	Q' TY	REMARKS
L - 1	FR53560xx014	JET, PILOT		1	BV18I/135
L - 2	FR53560xx025	PIPE, pilot jet		1	BV18I/133
L - 3	FR53560cx003	CHOKE SHAFT ASS'Y		1	BV18I/158
L - 4	FR53560xx029	CAP		1	BV18I/184
L - 5	FR42121xx014	SPRING, choke		1	B21/29
L - 6	FR42121xx013	STEEL BALL		1	B21/28
L - 7	FR53560xx013	VALVE, CHOKE		1	BV18I/155
L - 8	FR42121xx012	SCREW & WASHER		2	CW1-2604
L - 9	FR42121xx020	PACKING, needle valve		1	VM15/07 <sub>a</sub>
L-10	FR53004xx004	NEEDLE VALVE ASS'Y		1	VM15/172
L-11	FR53004xx007	PACKING, guide holdr		1	BV18I/58
L-12	FR53004Ax010	JET, MAIN		1	NI02 221
L-13	FR53560xx002	THROTTLE SHAFT ASS'Y		1	BV18I-A/1008 <sub>a</sub>
L-14	FR53004xx016	SPRING, throttle shaft		1	BV18I/72
L-15	FR53004xx017	SPRING		2	BV21/24
L-16	FR53004Ax012	VALVE, throttle		1	BV18/07
L-17	FR42121xx033	SCREW & WASHER		1	CW <sub>2</sub> =0305
L-18	FR42121xx009	SCREW		1	S <sub>3</sub> = 0412
L-19	FR53560xx015	SCREW, PILOT		1	BV28/13
L-20	FR53004xx008	PIN, float arm		1	BV18I/49 <sub>a</sub>
L-21	FR53004xx023	ARM, FLOAT		1	BV18I/51 <sub>a</sub>
L-22	FR53004Ax011	NOZZLE, MAIN		1	B224/152
L-23	FR53004xx024	FLOAT		1	BV18I/50
L-24	FR53004xx006	PACKING, float chamber		1	BV18I/48
L-25	FR53560Ax005	FLOAT CHAMBER BODY ASS'Y		1	BV18I/190
L-26	FR53560xx030	SPRING		1	16/010 <sub>a</sub>
L-27	FR53560Ax031	SCREW		1	BV18I/191
L-28	FR53560Ax026	HOLDER, guide			BV18I/192



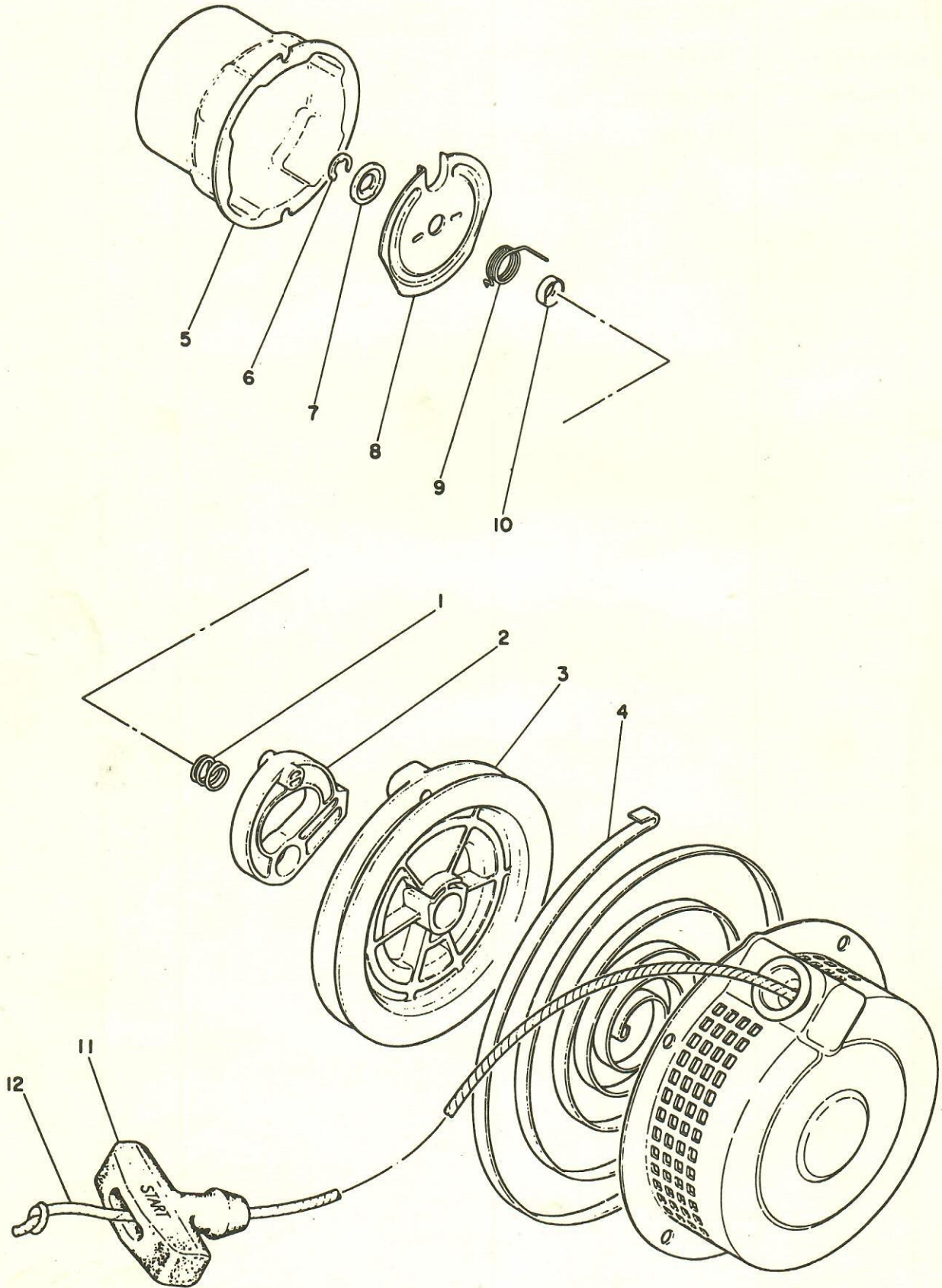
# M AIR CLEANER Ass'Y



# M AIR CLEANER Ass'Y

NO.	PARTS NO.	PARTS	NAME	Q' TY	REMARKS
M - 1	FR42206	PLATE, caution		1	
M - 2	FR42203	ELEMENT Ass'y		1	
M - 3	FR42204	PACKING		1	
M - 4	FR42202	OIL PAN		1	

# N RECOIL STARTER Ass'Y

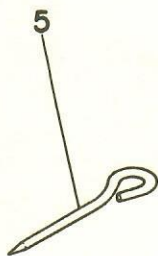
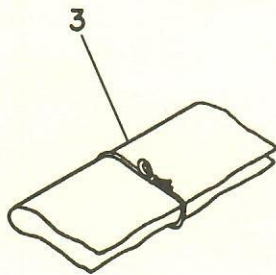
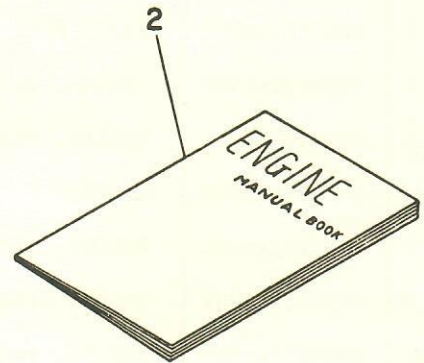
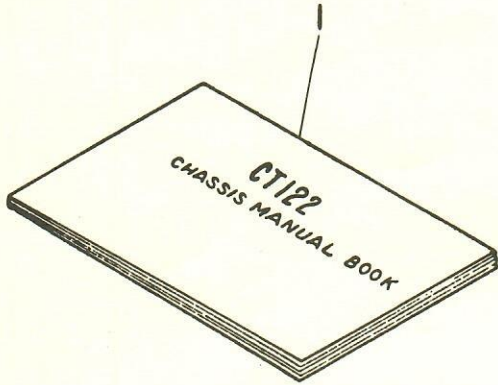




# N RECOIL STARTER Ass'Y

NO.	PARTS NO.	PARTS	NAME	Q' TY	REMARKS
N - 1	FR53151xx005	SPRING, friction		1	A601 121 000 00
N - 2	FR53151xx003	RATCHET		1	A550 121 000 00
N - 3	FR53151xx002	PLATE, REEL		1	A541 121 000 00
N - 4	FR53151xx004	SPRING, spiral		1	A600 106 000 00
N - 5	FR56425	PULLEY, starter		1	A700 121 015 11
N - 6	FR53151xx010	E RING		1	5000 607 006 12
N - 7	FR53151xx006	WASHER, thrust		1	A603 106 000 10
N - 8	FR53151xx009	PLATE, friction		1	A560 121 000 10
N - 9	FR53151xx007	SPRING, return		1	A605 121 200 00
N-10	FR53151xx008	COVER, spring		1	A615 052 000 00
N-11	FR53151xx013	KNOB, starter		1	A305 032 000 00
N-12	FR53151xx012	ROPE, starter		1	A571 513 000 00

# P TOOL GROUP



# P TOOL GROUP

NO.	PARTS NO.	PARTS	NAME	Q' TY	REMARKS
P - 1		MANUAL BOOK, main		1	
P - 2		MANUAL BOOK, engine		1	
P - 3		TOOL SET, engine		1	
P - 4		BOX SPANNER 19		1	
P - 5		DRIVER, screw ⊕		1	



# 索 引

## INDEX

部品番号 Parts No.	ページ Page	部品番号 Parts No.	ページ Page	部品番号 Parts No.	ページ Page
A001W14	17.	FR18544	21.	FR42121xx033	27.
A905743	13.	FR41231	21.	FR42149	21.
A906325	13.	FR41238	19.	FR42202	29.
A901361	11.	FR41494	25.	FR42203	29.
B001C06x030	21.	FR41494xx015	25.	FR42204	29.
B011A06x010	17.	FR41498B	25.	FR42206	29.
B071A05x070	17.	FR41504	25.	FR42261A-D	21.
B081A06x016	23.	FR41506	25.	FR42262A-D	21.
B091A06x012	17,23.	FR41510	25.	FR42665	21.
B901C08F035	17.	FR41511	25.	FR42734	23.
Bb-6006	5.	FR41512	25.	FR42937	17.
Bb-6202	5.	FR41518	25.	FR42962	17.
BG01433	19.	FR41802B	21.	FR43217	19.
BG01474	19.	FR41803B	21.	FR44021	19.
BG01475	19.	FR41828	19.	FR44025	17.
BG04168	19.	FR41829	19.	FR44091A	19.
E320163	11.	FR41830	19.	FR44820	13.
F25L-2-05	13.	FR41845	21.	FR53001xx001	19.
FN11223	17.	FR41909	21.	FR53001xx002	19.
FN14784	21.	FR41983	13.	FR53001xx003	19.
FN15746	21.	FR41990	17.	FR53002	17.
FR15490C	21.	FR42121xx009	27.	FR53003	17.
FR18067	23.	FR42121xx012	27.	FR53004xx004	27.
FR18076	23.	FR42121xx013	27.	FR53004xx006	27.
FR18082	19.	FR42121xx014	27.	FR53004xx007	27.
FR18437	17.	FR42121xx020	27.	FR53004xx008	27.

# 索 引

## INDEX

部品番号 Parts No.	ページ Page	部品番号 Parts No.	ページ Page	部品番号 Parts No.	ページ Page
FR53004xx016	27.	FR53507	19.	FR53560C	17.
FR53004xx017	27.	FR53509	21.	FR53565	17.
FR53004xx023	27.	FR53514	17.	FR53581	17.
FR53004xx024	27.	FR53530A	21.	FR53582	17.
FR53004Ax010	27.	FR53532	21.	FR53610	19.
FR53004Ax011	27.	FR53534	19.	FR53611	21.
FR53004Ax012	27.	FR53536	19.	FR53613	21.
FR53006	17.	FR53541	21.	FR53614	21.
FR53030	17.	FR53544	21.	FR53620	21.
FR53031B	17.	FR53546	19.	FR53621	25.
FR53033	17.	FR53547	17.	FR53629	21.
FR53034	17.	FR53547xx001	19.	FR53717	17.
FR53039	17.	FR53547xx002	19.	FR53719	21.
FR53133	19.	FR53549	23.	FR56424	21.
FR53151xx002	31.	FR53550	23.	FR56425	31.
FR53151xx003	31.	FR53560xx002	27.	FR63087	19.
FR53151xx004	31.	FR53560xx003	27.	FR63858B	25.
FR53151xx005	31.	FR53560xx013	27.	G0880Y-VR72	13.
FR53151xx006	31.	FR53560xx014	27.	H051D04x008	19.
FR53151xx007	31.	FR53560xx015	27.	H051D04x040	19.
FR53151xx008	31.	FR53560xx025	27.	H081A06x016	25.
FR53151xx009	31.	FR53560xx029	27.	H081D04x008	25.
FR53151xx010	31.	FR53560xx030	27.	H081D04x012	25.
FR53151xx012	31.	FR53560Ax005	27.	H081D04x024	25.
FR53151xx013	31.	FR53560Ax026	27.	H081D06x010	23.
FR53506	19.	FR53560Ax031	27.	K-419	7.



# 索 引

## INDEX

部品番号 Parts No.	ページ Page	部品番号 Parts No.	ページ Page	部品番号 Parts No.	ページ Page
M7-118	3.	M65-715	3.	M87-211	5.
M7-129a	3.	M77-212	5.	M87-612	9.
M7-217a	5.	M77-213	5.	M87-613	9.
M7-2346	5.	M77-214	5.	M87-711	13.
M7-313a	5.	M77-215	5.	M87-816	3.
M7-814	13.	M77-216	5.	M87-1311	13.
M8-817a	13.	M77-217	5.	M87-3112	9.
M13-121.a	5.	M77-414	7.	MBNt-0600	7.
M13-121a-1	5.	M77-612	9.	MBt-0612	13.
M23-152	3.	M77-615	9.	MBt-0613	7.
M23-255	5.	M77-616	9.	MBt-0614	3.
M23-256	5.	M77-617	9.	MBt-0618	3.
M23-415	7.	M77-618	9.	MBt-0816	13.
M23-416	7.	M77-812	13.	MBt-0818	13.
M23-513	7.	M77-813	13.	MBt-0820	3.
M23-514a	7.	M77-814	11.	MBt-0850	7.
M29-875	13.	M77-817	13.	MBt-1020	9.
M54-414	7.	M77-818	13.	MBt-1045	7.
M54-415	7.	M77-819	13.	MBt-1235	7.
M54-416	7.	M77-820	13.	MBt-1290	9.
M54-511	7.	M77-1312	11.	MCRSR-0617	7.
M54-512	7.	M77-1313	11.	MFW-0500	9.
M54-816	13.	M86-711	13.	MFW-0800	3,13.
M54-825	13.	M86-714	15.	MFW-1200	9.
M58-813	13.	M87-111-1	3.	MNt-0600	3,7.
M60-116	3.	M87-111-2	3.	MNt-0800	7,13.



# 索 引

## INDEX

部品番号 Parts No.	ページ Page	部品番号 Parts No.	ページ Page	部品番号 Parts No.	ページ Page
MNt-0800L	13.	W200H06	17.		
MNt-1000	5,7.	W205H04	25.		
MNt-1000L	3.	W205H05	17.		
MNt-1200	5,7,9.	W205H06	23.		
MSW-0500	9.	W220R06	17.		
MSW-0600	3,7,13.	W205H08	17.		
MSW-0800	3,7,13.	W620D03x010	21.		
MSW-1000	5,7,9.	ZZ70003B	19.		
MSW-1200	5,9.	ZZ70010xx016	17.		
MSW-1400	9.	ZZ70010xx035	21.		
MRSBt-0613	7.	60420	9.		
N001A06	17.	60496	11.		
Nd-162010	5.	906360	3.		
OS-QLEY-30551319	5.				
OS-SC-355	3.				
OS-SC-15357	5.				
RC-4044	5.				
S110x60x040	21.				
S111x62x030	21.				
S500P05	23.				
SCF-502085	13.				
SF-18	3.				
SRR-35	5.				
SRR-55	5.				
SRS-12	13.				
VBSB-33	13.				